

INTEGRATED SPACES

The Wolly 2 built-in units offer extraordinary flexibility, which makes installation even easier in apartments, where the available space for the passage of various works is always minimal.

INSTALLATION RANGE

The **Wolly 2** central vacuum unit can be installed in homes with the following characteristics:

- surface to be cleaned between 30 -300 m²
- use by a single operator
- piping network of tube 40/50mm / 2" diameter
- 220/240 V ac power supply
- non continuous use of vacuuming generic house dust
- exhaust air conveyed outside
- Possibility of installation in closets, thermal power rooms, corridors and protected, weatherproof balconies or wall mounting by optional frame additon



Wolly 2 SELECTION TABLE

MODEL	Suggested surface	ARTICLE	Suggested inlets	Maximum operators
Wolly 2 150	150 m ²	8201.0	4	1
Wolly 2 300	300 m ²	8201.1	7	1

PRODUCT SPECIFICATIONS



Filter bag



CE conformity marking



Soft Start starter



IP Degree of protection



Cleaning accessory kit included



Insulation class 2



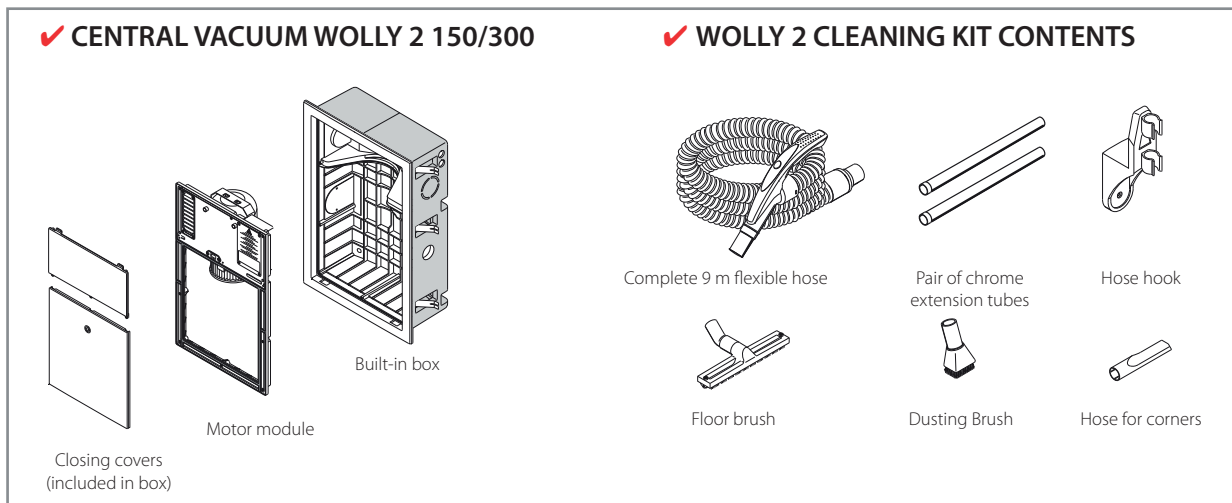
Specific for vertical construction



Number of simultaneous users MAX

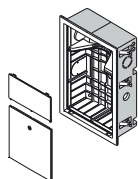
WOLLY 2

CONTENT OF WOLLY 2 VACUUM UNIT



COMPONENTS FOR WOLLY 2

Built in box Wolly 2



ARTICLE	PRODUCT DESCRIPTION	Packing Pcs
7102.1	WOLLY 2 BUILT-IN BOX *	1

complete with doors

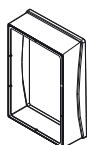
Wolly 2 engine module



ARTICLE	PRODUCT DESCRIPTION	Packing Pcs
8202.0	SUCTION MODULE/ENGINE WOLLY 2 MOD. 150	1
8202.1	SUCTION MODULE/ENGINE WOLLY 2 MOD. 300	1

WOLLY 2 PRE-EQUIPMENT WALL MOUNTING

Optional frame for Wolly 2 installation



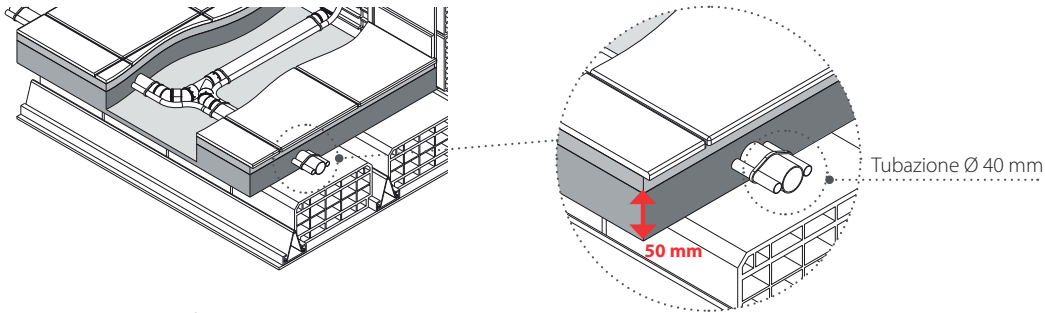
ARTICLE	PRODUCT DESCRIPTION	Packing Pcs
7102.2	OUTSIDE INSTALLATION BOX WOLLY 2 **	1

** to match with article 7102.1

PRODUCT SPECIFICATIONS

1 - Use of piping Ø 40 mm (only mod. Wolly 2 150)

Thanks to this feature you can install Wolly 2 where the flooring has reduced thickness or where plants have numerous overlapping points.



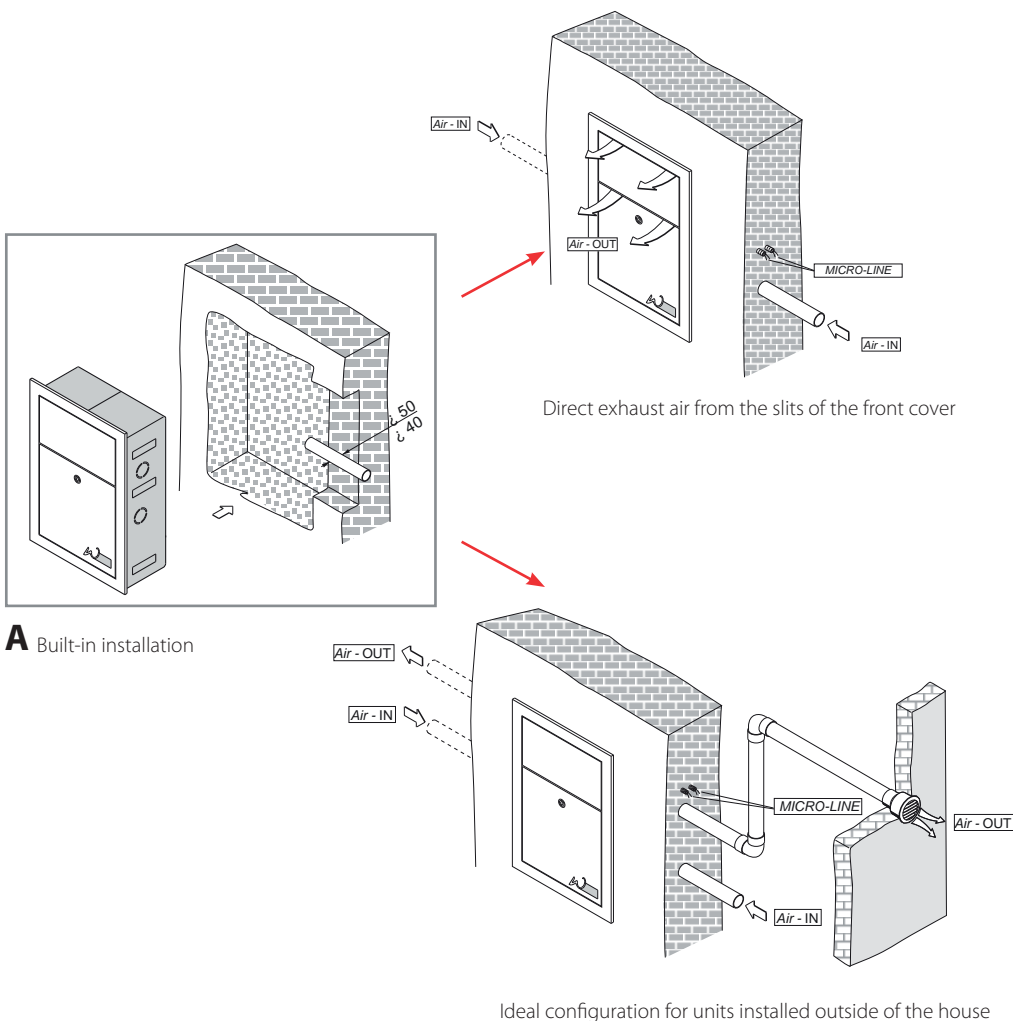
2 - Double choice of installation

The Wolly 2 central vacuum has been designed and manufactured to provide **maximum ease of installation** in all situations where there is insufficient space to place a traditional central vacuum unit. In particular installation can be done:

- A - built-in, thanks to depth of just 18.7 cm**, with the possibility of not requiring piping for air exhaust (see point 2)
- B - using the wall-mounted feature**, by using the appropriate frame (optional) always represents the ideal solution to propose the central vacuum cleaner.

In both cases you can have:

- **reversible pipe mouthpieces left/right**, detachment with each other, too
- **direct air exhaust**, with slits along the perimeter of the door closing, **or conveyed** with an exhaust pipe..

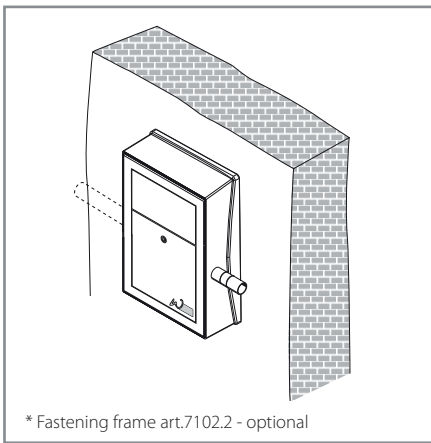


Exhaust air conveyed through special pipeline



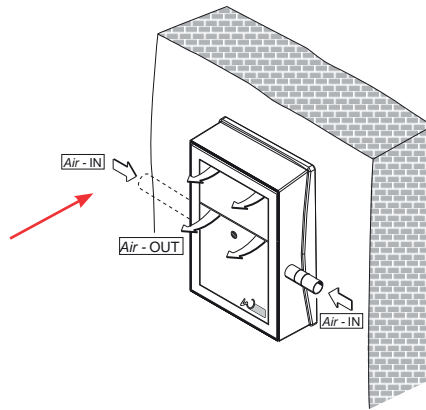
Ideal configuration for units installed indoor

WOLLY 2



* Fastening frame art.7102.2 - optional

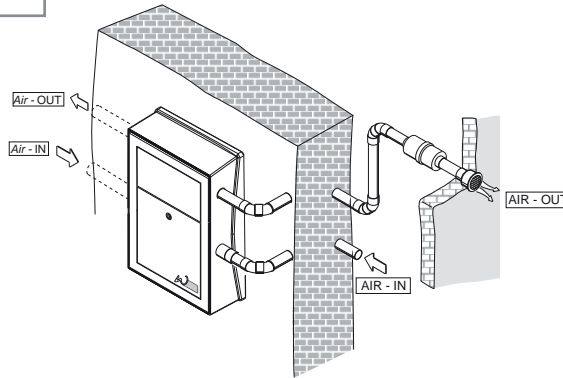
B installation with wall mounting



Direct exhaust air from the slits of the door



Exhaust air conveyed through special pipeline



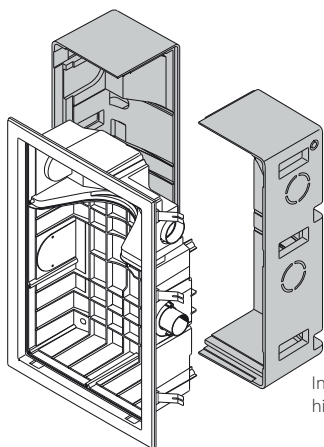
Ideal configuration for units installed outside of the house



Ideal configuration for units installed indoors

3 - Compatible with homes with energy certification

The central body of Wolly 2 is covered with a shell of **high density polystyrene** which acts as a **thermal insulator**, absorbing noise and anti-vibration support barrier. Thanks to that, the heat loss due to the built-in installation is minimal. A copy of thermal transmittance "U" and sound emission tests is available on request.



Insulation in half-shell high density polystyrene

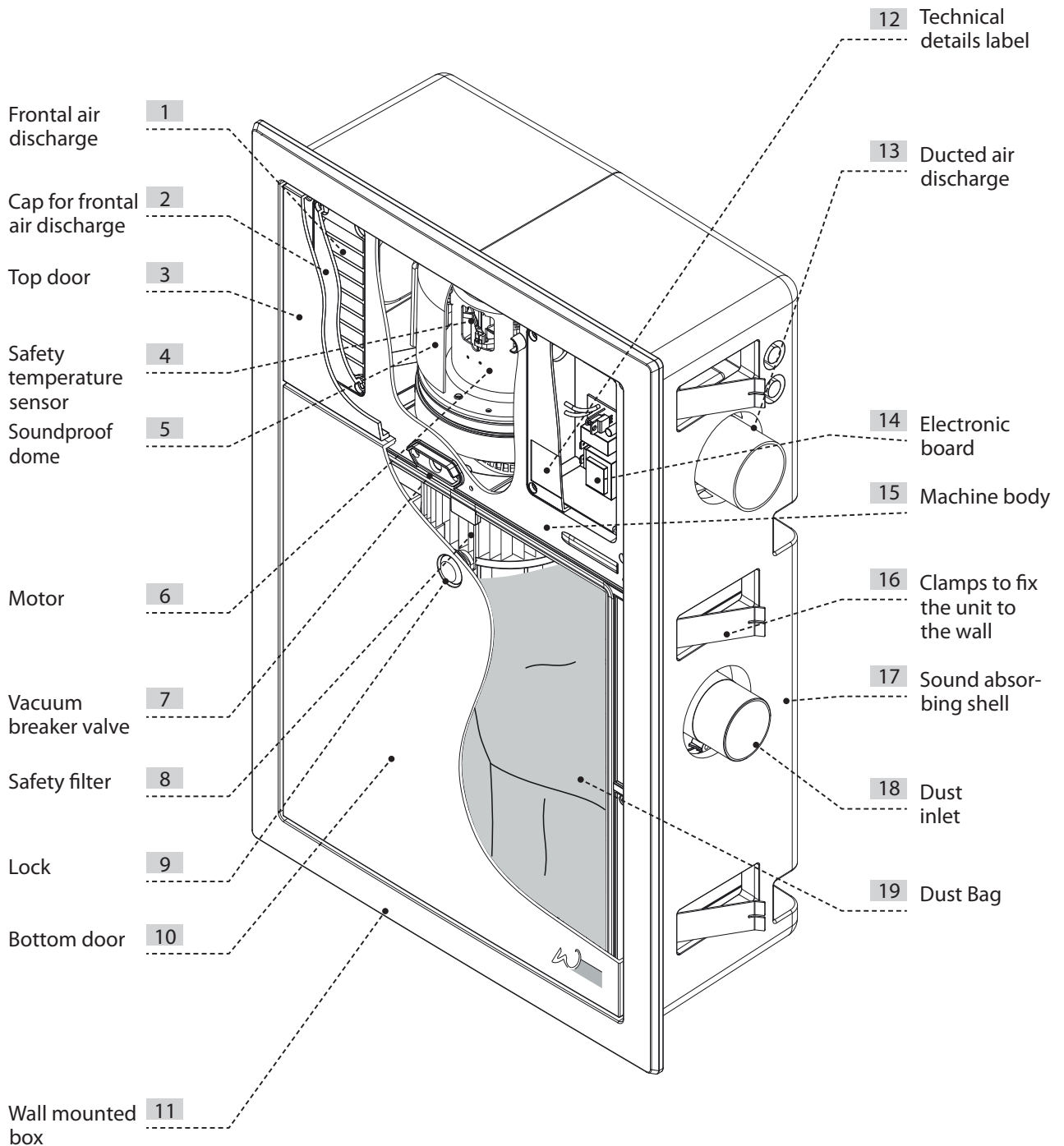
TECHNICAL TESTS

Test on thermal transmittance "U"



Noise emission tests

WOLLY 2 SECTION



WOLLY 2

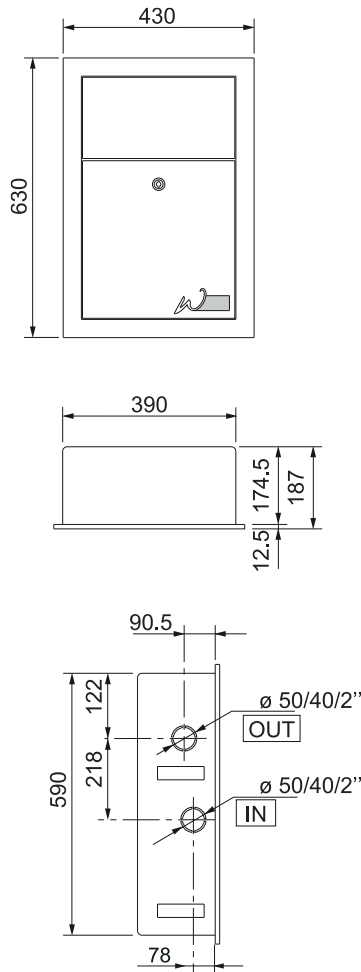
MESUREMENTS AND TECHNICAL DETAILS

The units can be used by a single operator.

It is recommended that the model selection is based on total area to clean, to ensure maximum durability and performance over time.

Additional selection criteria may relate to the dimensions of the unit, the capacity of the dust container and filter surface.

In the case of installation done on one level, for a maximum area to be cleaned of 150 m² with 3 inlet valves, you can use the Wolly2 150 with pipeline network of 40 mm diameter. In all other cases it is necessary to use 50 mm diameter pipeline.



Wolly 2			
Model Article		Wolly2 150	Wolly2 300
		8201.0	8201.1
Suggested surface	m ²	150	300
Power Supply	V ac	220/240	220/240
Frequency	Hz	50/60	50/60
Motor power	kW	1,25	1,35
Absorption	A	5,0	5,6
Inlets supply	V dc	12	12
Maximum air flow	m ³ /h	200	234
Maximum depression	mbar	274	272
Security filter surface	cm ²	2840	2840
Dust container capacity	l	12	12
Weight	kg	9	9
Width	mm	430	430
Height	mm	630	630
Depth	mm	187	187
Vacuum attachment	Ø mm	40/50/2"	40/50/2"
Exhaust attachment	Ø mm	40/50/2"	40/50/2"
Noise lever lower than DB(a)	dB(A)	70	

Note: nominal noise values. Values may vary depending on the environment in which the unit is installed and the type of installation

APPROVALS

IP Degree of protection

IP 44

Degree of electrical insulation

CLASS II

Wolly2 Line

Units in compliance with the following standards:

RELEVANT EEC DIRECTIVES:

- 2006/42/CE
- 2006/95/CE
- 2004/108/CE

APPLIED HARMONISED STANDARDS:

- EN 60335-1 : 2012
- EN 60335-2-2 : 2010
- EN 61000-3-2 : 2006 + A2 : 2009
- EN 61000-3-3 : 2008
- EN 55014-1 : 2006 + A1 : 2009
- EN 55014-2 : 1997 + A2 : 2008
- EN 62233: 2008

DIRECTIVE ROHS 2002/95

REACH COMPLIANT

Note: Observe legal requirements regarding the installation.

TECHNICAL TESTS

Test on thermal transmittance "U"

Sound emission tests

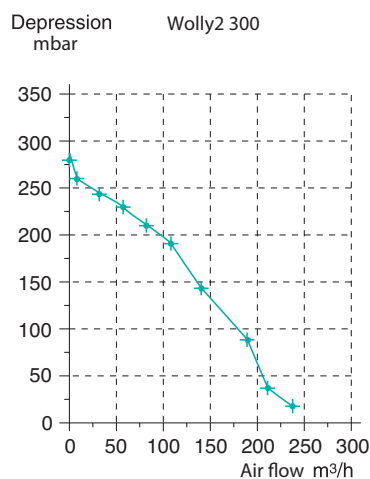
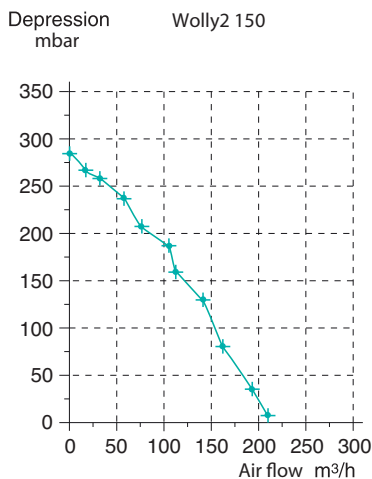
TECHNICAL FEATURES

Wolly 2 units are built with plastic materials, PP and ABS, to give strength and durability, while maintaining a beautiful line appearance. They have been designed and constructed according to all the criteria that the regulations and directives impose, but with great attention to fundamentals, including functionality, power and capacity utilisation.

The main technical characteristics can be listed:

- Self-supporting shell in polypropylene.
- Protection and polypropylene coatings and ABS.
- Dust collection polypropylene bucket with handles of nylon PA6 (capacity 21 L).
- Sound-absorbing motor compartment (noise values for units lower than 70 dB A).
- Possibility of connecting the pipes from both right and left.
- Motor-impeller, composed of single-phase electric motor with brushes and rotating pack (see individual models).
- Vacuum breaker valve for engine protection.
- Water washable microfiber bag filter (capacity 12 L) with polyester certified class M safety filter cartridge.
- Electronic control card with double fuse protection-on both primary and secondary circuits.
- Soft Start system with integrated microprocessor tab, specific for vacuum systems, with current control.
- Safety temperature sensor to protect motor with automatic power off and reset.
- Power of inlet with 12 V dc voltage.
- Option of connecting a remote recessed panel for all models.
- Protection degree IP44, which allows installation in damp rooms, on balconies protected from inclement weather or boiler rooms
- Central vacuum unit suitable with all Air System accessories.

PERFORMANCE GRAPH



WOLLY 2

INSTALLATION BASICS

Wolly 2 units can be installed in a recessed wall having sufficient depth, or they can easily be attached to the same.

Can be installed in a technical room, cellar, basement, closets, etc.

Construction characteristics (IP44), allows outdoor installations, such as on balconies protected from the elements.

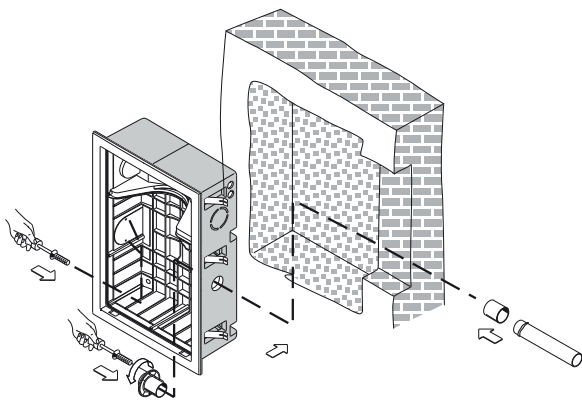
It is always recommended at design stage, to perform measurements to calculate the ideal placement of the central unit, considering reasonable space for installation, use and maintenance.

In the case of a multi level installation, it is always advisable to install at the lowest level.

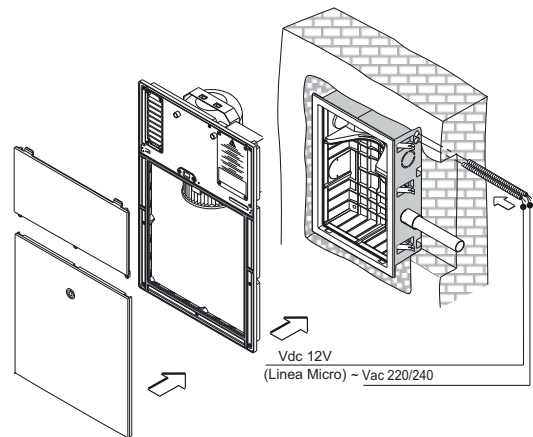
For special installation conditions, when the unit is located on floors of the building above the network of pipes (lofts, attics, etc.), you should select a unit category higher than the actual cleaning surface (it is recommended to consult the Sistem Air projects office).

FIXING OF THE UNIT

1 - Built-in installation

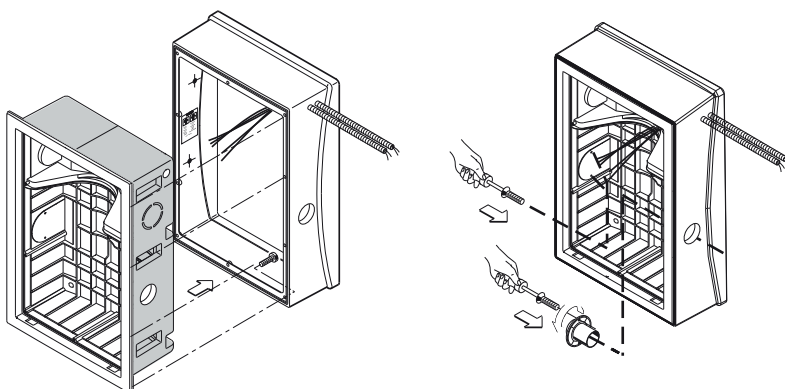


- 1 - Prepare an adequate sized space in wall.
- 2 - Drill the recessed box at the arrival of the pipe from the inlet valves and the exhaust pipe (if provided).

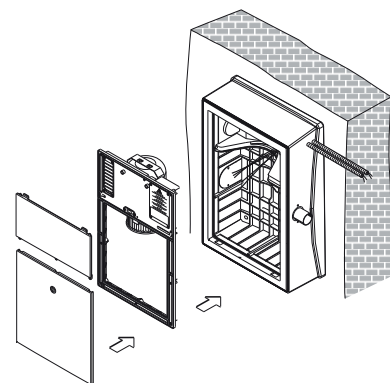


- 3 - Wall up the box using the appropriate bendable clamps
- 4 - Mount the motor module in box

2 - Wall-mounted installation



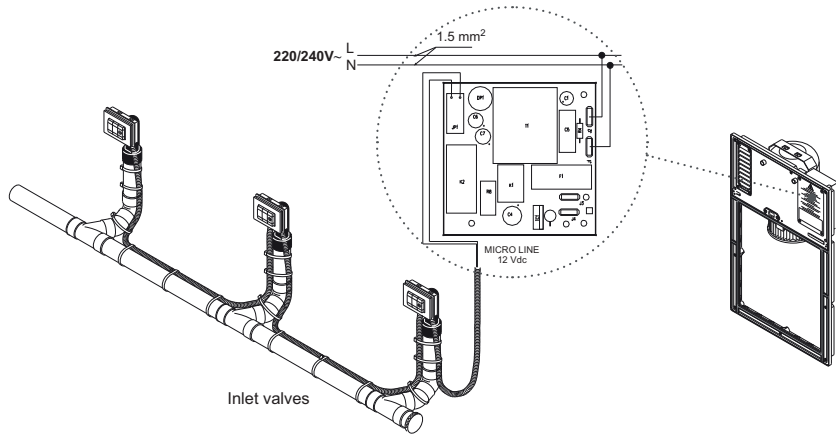
- 1 - Fix the built-in-mounted box in the appropriate frame
- 2 - Drill the recessed box at the arrival of the pipe from the inlet valves and the exhaust pipe (if provided).



- 3 - Secure the box to the wall using dowels
- 4 - Mount the engine module in box

PIPE NETWORK CONNECTION

Note: when replacing the fuse, ensure it is the correct type and amperage (16 A motor delay fuse). For installation, always follow IEC and national electricity supplier standards.



MAINTENANCE AND SERVICE

For routine maintenance of central units, follow the instructions in the manual supplied with the unit. In particular, these periodic operations relate mainly to cleaning the filter, replacing the filter bag dust collector, checking the correct functioning of the electric motor and exhaust air obstruction. All work not included in the routine maintenance operations to end user care must be performed by qualified personnel. We invite you to consult our website sistemair.com for more information on maintenance and assistance service nearest to you.



The central unit, that thanks to its installation versatility, has revolutionised the concept of centralised vacuum cleaners, allowing installation even in residential complexes.

