

SMALL SURFACES

TECNO **STYLE** MINI

energysaving

TECNO Style MINI has been designed for installations in small surfaces while maintaining the comfort and power of the system unchanged.

INSTALLATION AREA

Tecno Style MINI vacuum units can be installed in residential buildings with the following features:

- Surfaces between 30 and 450 m²
- Suitable for 1 user
- Pipe network Ø 50 mm/Ø 2"
- 220/240 Vac supply
- Non-continuous use for household dust vacuum
- Air exhaust to the outside
- It can be installed in utility rooms, service rooms and basements.



CIVILE

Tecno Style MINI SELECTION TABLE

MODEL	Recommended surfaces	ARTICLE	Recommended vacuum inlets	Number of users
Tecno MINI	150 m ²	3107.1TER	4	1

Main features of the product



Energy saving vacuum unit



IP protection degree



Soft Start device



Isolation class 2



CE marking



Max number of users

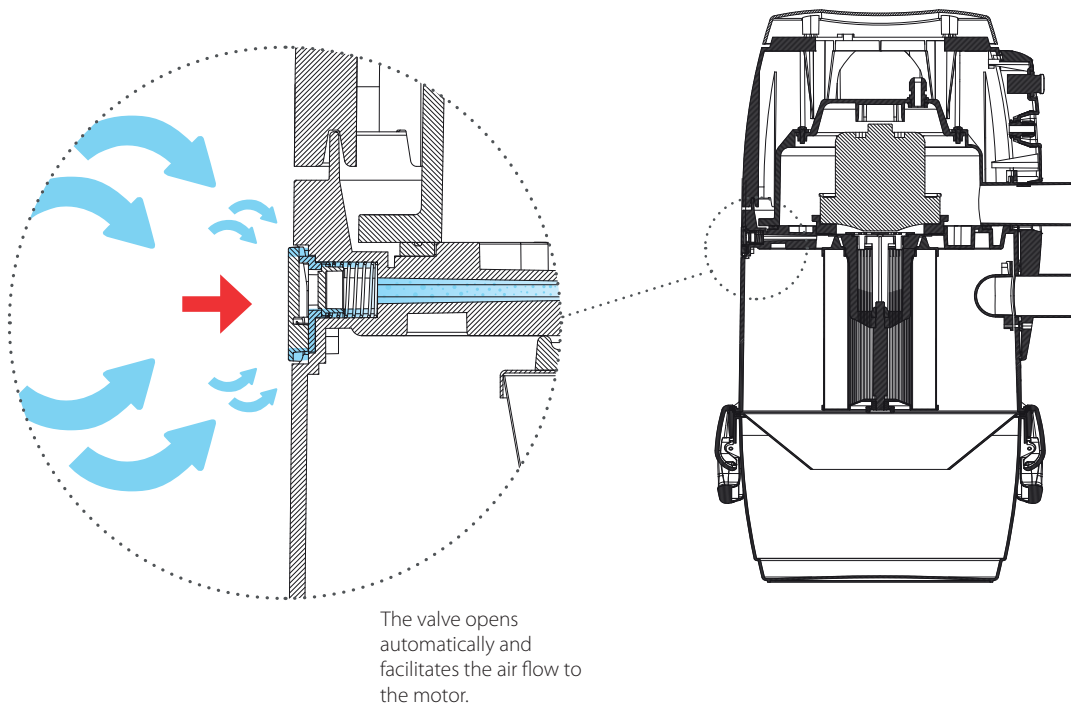
TECNO STYLE Mini

■ PRODUCT SPECIFICS

1 - Breaker valve

On Tecno Style MINI vacuum units there is a **breaker valve** that allows air to enter inside the motor when the air inlet is closed, **to avoid the motor operating in critical conditions.**

It opens automatically and facilitates the work of the thermal protection.

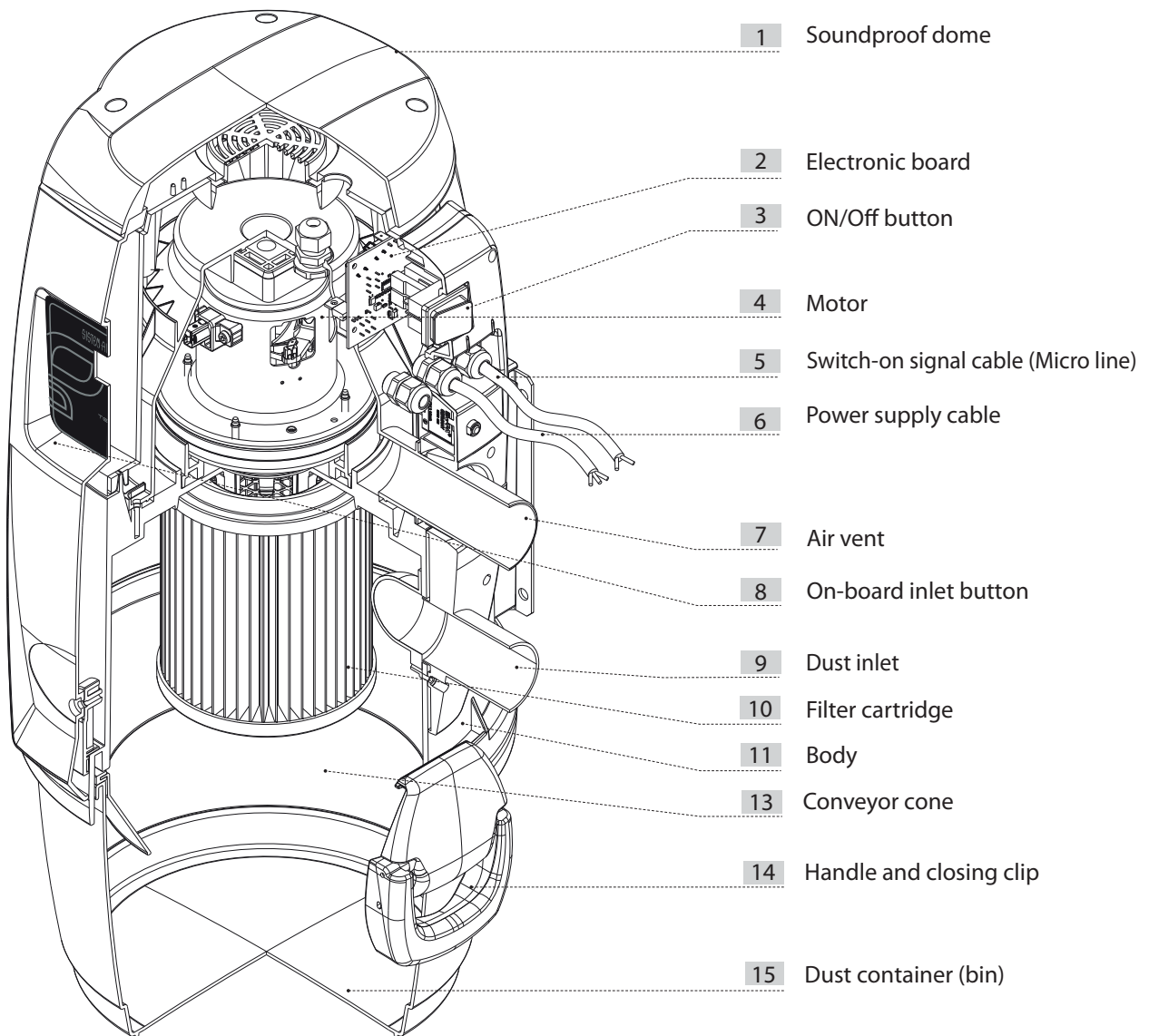


2 - ENERGY SAVING

After updating the 350 and 450 models, the complete range of domestic vacuum units by Sistem Air has new high efficiency motors with high performance. As a result there is now a **reduction in energy consumption of over 20%**.



■ Tecno Style Mini SECTION

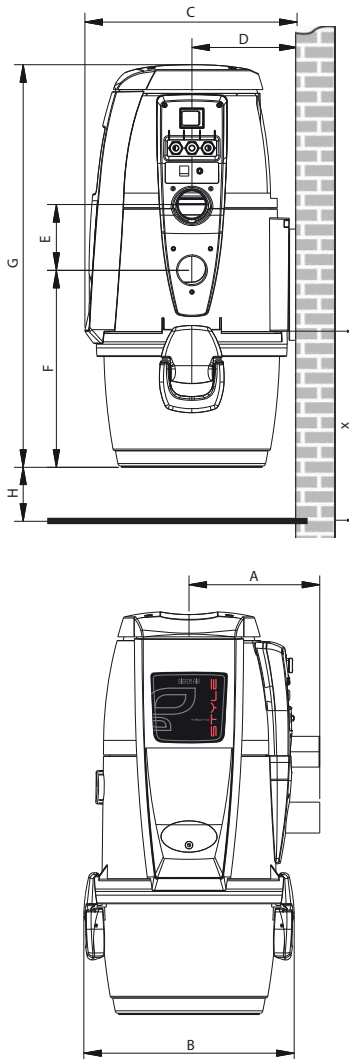


TECNO STYLE Mini

MEASUREMENTS AND TECHNICAL DATA TECNO STYLE MINI

Domestic vacuum units can be used by 1 user.

We recommend choosing the unit according to the surface area to be cleaned, in order to ensure long life and best performance over time. Other selection criteria are the size of the central unit, the capacity of the dustbin and the filtering surface of the filter.



TECNO Style Mini		
Model Article	TECNO Style MINI	
	3107.1TER	
On board inlet		NO
Air inlet/air discharge	Ø mm	50
Protection degree	IP	20
Supply	V ac	220/240
Frequency	Hz	50/60
Motor power	kW	1,25
Absorption	A	5,0
Vacuum inlets supply	V dc	12
Maximum air flow	m ³ /h	200
Maximum depression	mbar	274
Filtering surface	cm ²	3100
Dust container capacity	l	15
Air vent		YES
Air discharge silencer (Ø 50 mm)		YES
Weight	kg	8,5
Measurement A	mm	210
Measurement B	mm	340
Measurement C	mm	345
Measurement D	mm	170
Measurement E	mm	108
Measurement F	mm	320
Measurement G	mm	650
Measurement H (min.)	mm	100
Measurement X (min.)	mm	350
Noise lever lower than	dB(A)	70

N. B.: levels of nominal noise. Levels can vary according to the environment where the unit is installed and the kind of installation.

CERTIFICATIONS

IP protection degree

IP 20

Electrical insulation Class

CLASS II

Tecno Style MINI

Device in compliance with the following standards:

- EC DIRECTIVES:
- 2006/42/CE
 - 2006/95/CE
 - 2004/108/CE

APPLIED HARMONIZED STANDARDS:

- EN 60335-1 : 2012
- EN 60335-2-2 : 2010
- EN 61000-3-2 : 2006 + A2 : 2009
- EN 61000-3-3 : 2008
- EN 55014-1 : 2006 + A1 : 2009
- EN 55014-2 : 1997 + A2 : 2008
- EN 62233 : 2008

ROHS DIRECTIVE 2002/95

COMPLIANCE TO REACH DIRECTIVES

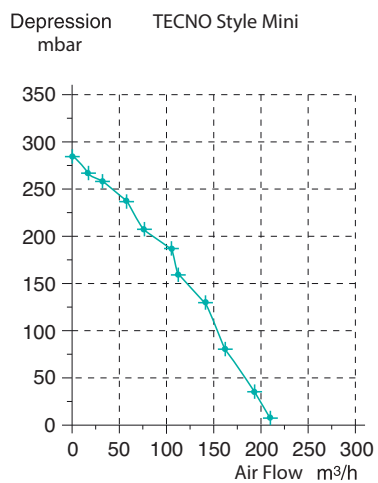
N.B.: installation must be carried out in strict compliance with the regulations in force.

TECHNICAL FEATURES

The central vacuum cleaners of the Tecno Style MINI series are made of plastic materials, polypropylene and ABS, such as to give strength and durability to the structure, with a pleasant aesthetic line. They are designed and produced in conformity with all regulations in force and European directives but also take into account functionality, power and capacity.

- Self-supporting cylindrical polypropylene body.
- Protection and covering in Polypropylene and ABS.
- Polypropylene dust collector with handles in nylon PA6 (capacità l 15).
- Soundproof motor compartment (noise level under 70 dB A).
- Possible connection of pipes from the left or from the right.
- Motor assembly with electric single phase motors with specific brushes for vacuum units (see all models).
- Breaker valve to protect the motor.
- Filter cartridge certified class M, in polyester, washable with water.
- Double protection electric control board, with fuse block switches both on the main and secondary circuit.
- Soft Start system integrated in the microprocessor board, specific for vacuum systems, with current control.
- Safety temperature sensor which protects the motor with automatic stop and start.
- Vacuum inlets supply 12 V.
- The vacuum unit is supplied with silencer and sleeves for pipe connection.
- Suitable to be used with all Sistem Air accessories.

PERFORMANCE GRAPHS



TECNO STYLE Mini

■ INSTALLATION

The vacuum units have a connection with the air discharge, in order to expel dust particles that the filter cannot hold.

They can be placed in technical rooms, basements, under the stairs, utility rooms or balconies protected from bad weather, humidity and temperature leaps.

We recommend, in the design phase, to identify the best location for the central unit with respect to the system, leaving a reasonable space for installation, use and maintenance.

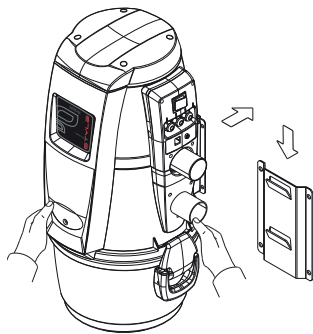
If the system is installed on many floors, we recommend locating the vacuum unit on the bottom floor.

When the vacuum cleaner, for specific installation needs, is installed on the highest floors of the building with regard to the level where the pipe network is housed (attic, garret etc.), we suggest installation of a vacuum cleaner featuring a power category higher than the one needed to clean the desired surface. For any further information, do not hesitate to contact the Manufacturer's Technical Service.

■ INSTALLING THE CENTRAL UNIT

The vacuum cleaner must be securely and permanently fixed to a solid wall using the bracket provided and the suitable wall anchors or plugs, taking into account that the total weight to be supported can be significantly heavier than the vacuum unit itself (see technical data pag. 46).

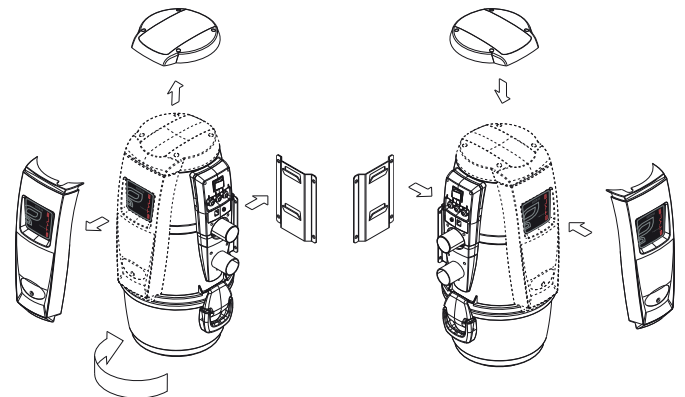
N.B.: The vacuum unit should be positioned high enough off the ground to allow the dust collection bin to be emptied and the filter to be replaced in a simple way (at least 10 cm).



■ REVERSIBLE CONNECTIONS

All Tecno Style MINI vacuum units can be **connected to the pipe network both from the right or from the left**.

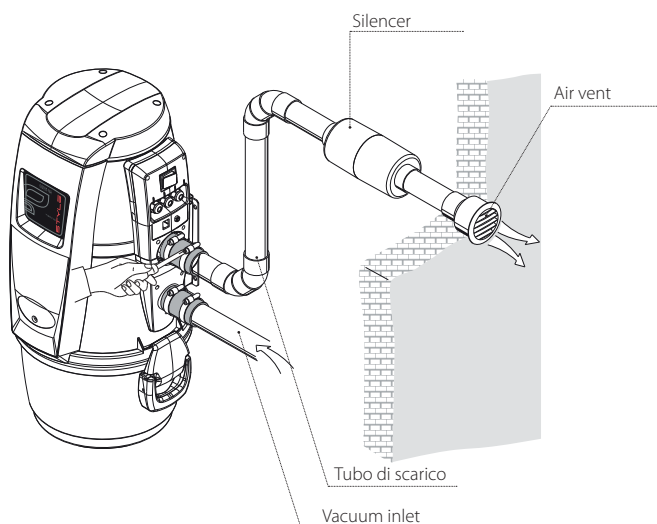
Modification is simple and fast.



■ PIPE CONNECTION

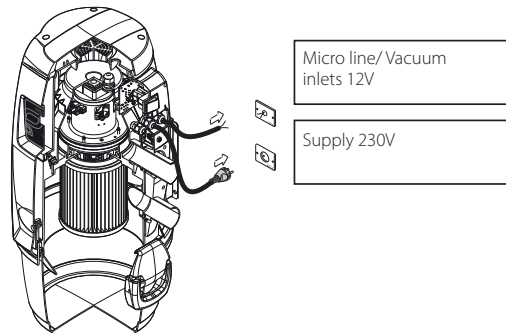
The Tecno Style MINI vacuum units are supplied with silencer Ø 50 mm, sleeves and hose clamps for pipe connection.

WARNING: if the discharge pipe is longer than 5 meters it is necessary to realize it with a bigger diameter (ex. 63 mm) in order to reach the optimal conditions for air expulsion.



ELECTRICAL CONNECTION

During installation adhere rigorously to IEC and national power supply regulations.
 N.B. if a fuse must be replaced, make sure it has the correct amperage as indicated in the technical manual.



MAINTENANCE AND ASSISTANCE

Programmed routine maintenance of central vacuum units must be done according to the instructions of the technical manual and of the display.
 In particular, these routine maintenance cycles concern filter cleaning, emptying of the dust bin, bag substitution, check that the electric motor works correctly, verify possible obstructions of air discharge.
 All extraordinary maintenance operations must be carried out by qualified and/or authorized staff.
 For more details, technical information and assistance please visit our web site sistemair.com



Tecno Style MINI vacuum units are a combination of power and reliability, perfect for those looking for an essential and high quality product.

