

Industrial Motors of Matic line offer an extraordinary vacuum power in all situations, intelligently supplied thanks to the electronic management of an updated inverter, especially with respect to stability in extreme working conditions. The new generation blowing motors ensure greater efficiency and safety.




■ Selection table Industrial Motor Matic


MODEL	ARTICLE	Max number of users Ø 32 mm
Industrial Motor Matic 2,2 kW	3503.2M	1
Industrial Motor Matic 4 kW	3513.4M	2
Industrial Motor Matic 5,5 kW	3503.6M	3
Industrial Motor Matic 7,5 kW	3503.7M	4
Industrial Motor Matic 11 kW	3503.11M	6

■ SYNTHETIC CHARACTERISTICS

 **CE marking**

 **Isolation Class 1**

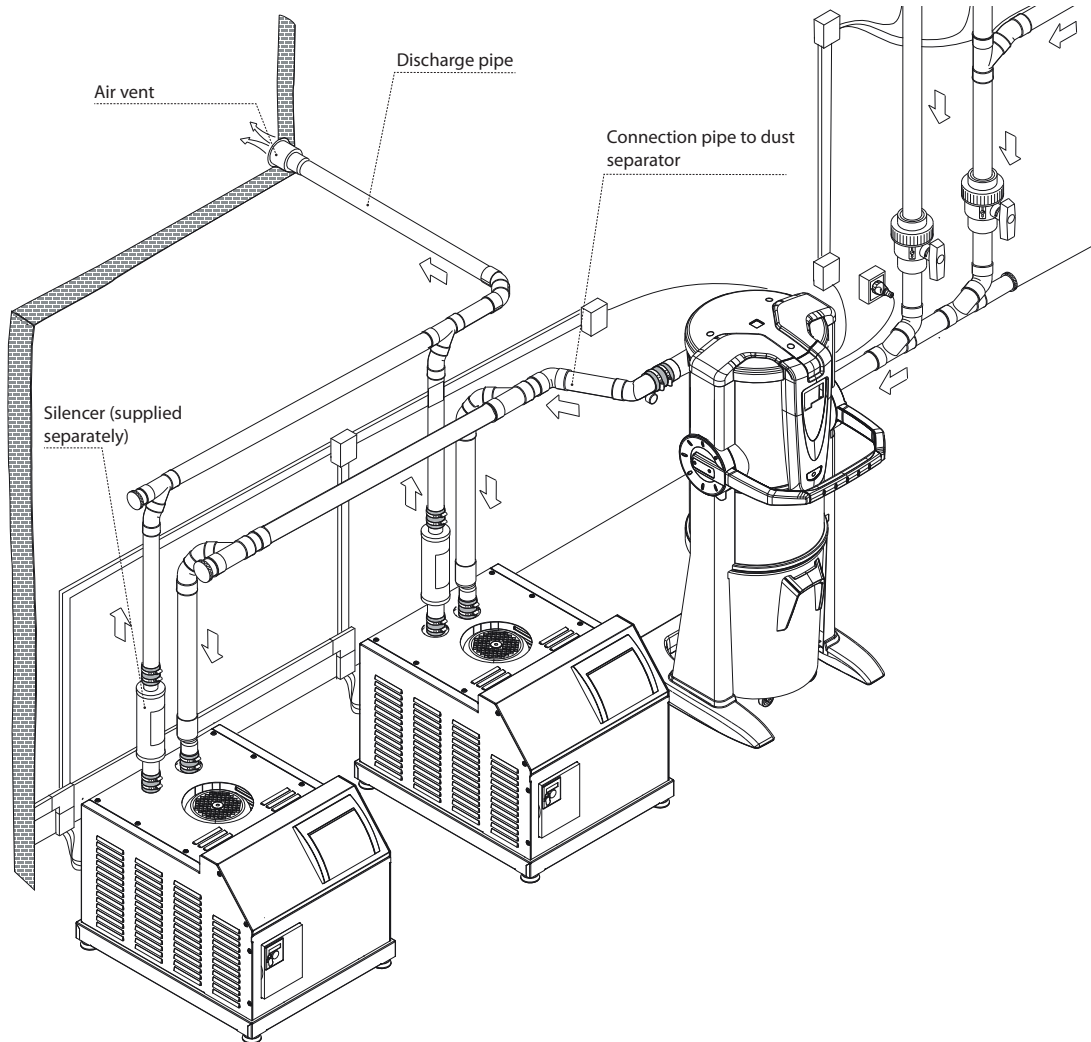
 **IP protection degree**

 **Max number of simultaneous users - multiple users**

INDUSTRIAL MOTOR

Pipe network connection

WARNING: if the discharge pipe exceeds 5 m, it is necessary to install a larger diameter in order to reach the optimal conditions for air expulsion.

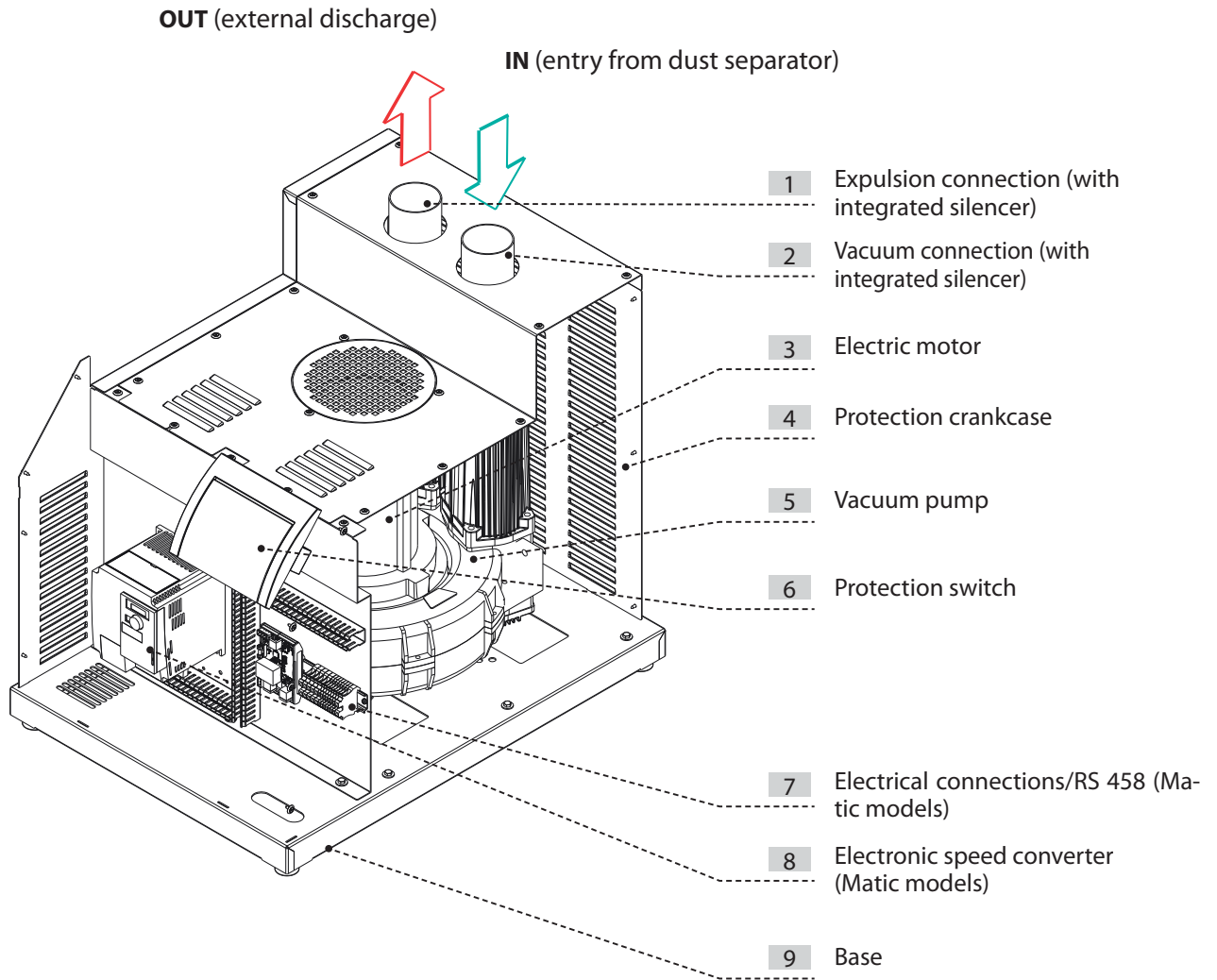


TECHNICAL FEATURES

Industrial Motors Matic are designed and produced in conformity with all current regulations and European directives, whilst taking into account functionality, power and capacity. Main technical characteristics can be listed as follows:

- Metal cylindrical frame painted with epoxy powder
- Professional motor with CE marking, IP 55 protection degree, F IEC 2 class, with integrated silencers
- Side-channel motor-pump assembly with light alloy case, high-performance and maintenance-free
- PTO thermal protector
- Motor noise level dB(A): from 60 to 80, according to the models and performances
- Electronic speed converter with self-ventilation and safety system to protect the unit. In abnormal operating conditions, the converter switches the vacuum unit off automatically
- General supply 400 V
- Circuit breaker protection on-board of control panel
- Multiple motor installations, with several motors connected to each other
- RS 485 connection between dust separator and blowing motor
- Automatic management of priority starting in case of multiple motors

Industrial Motor Matic BLOWING MOTOR SECTION



INDUSTRIAL

INDUSTRIAL MOTOR MATIC - (with inverter)

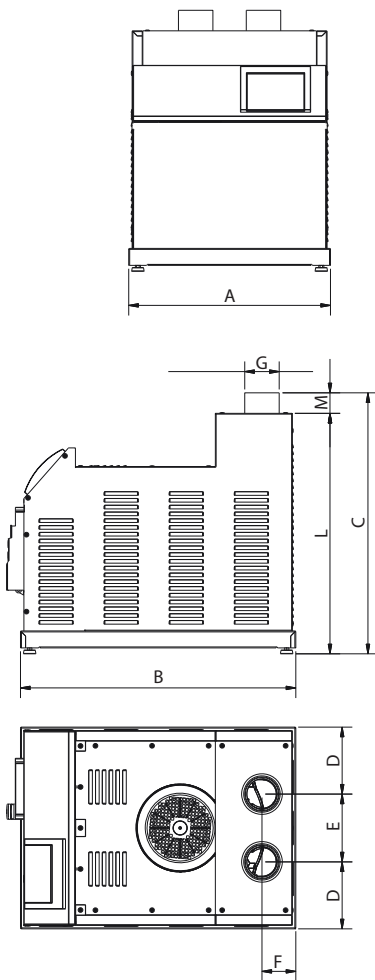
MEASUREMENTS AND TECHNICAL DATA

Universally appreciated for their power and reliability, the Sistem Air blowing motors can satisfy many vacuum requirements in different fields of application. The modularity of the system allows connection of several motors in order to obtain the right balance between performance and fuel consumption. The blowing motor must be combined with the special dust separator (Industrial Clean line). The composition of the installation is completely customisable, we recommend consulting the chapter "Getting to the choice of industrial equipment" on page 166 .

The choice of the motors should be made by paying attention to the following parameters:

- Number of simultaneous users
- Dimension of the area to clean/pipe network development
- Specific vacuum requirements (particular materials, structural and/or operational constraints, etc.), in order to grant maximum durability and performance over time.

In case of doubt, our agents in charge will be able to recommend the best solution for your plant.



Linea Industrial Motor Matic						
Modello Articolo		Ind. Motor Matic 2,2 kW	Ind. Motor Matic 4 kW	Ind. Motor Matic 5,5 kW	Ind. Motor Matic 7,5 kW	Ind. Motor Matic 11 kW
		3503.2M	3513.4M	3503.6M	3503.7M	3503.11M
Electronic speed converter		YES	YES	YES	YES	YES
Protection degree	IP	20	20	20	20	20
Supply	fasi / V ac	3/400	3/400	3/400	3/400	3/400
Frequency	Hz	50/60	50/60	50/60	50/60	50/60
Motor power	kW	2,2	4	5,5	7,5	11
Absorption	A	4,6	8,1	11,1	15,7	21,7
Inlets supply	V dc	12	12	12	12	12
Maximum air flow	m³/h	366	570	740	914	1300
Air discharge		YES	YES	YES	YES	YES
Weight kg		68	89	120	125	150
Measurement A	mm	540	595	595	595	595
Measurement B	mm	660	812	812	812	812
Measurement C	mm	505	765	760	760	765
Measurement D	mm	207,5	220	220	206,5	197,5
Measurement E	mm	125	155	155	182	200
Measurement F	mm	112	162,5	162	130	100
Measurement G (air in/out)	mm	60	80	80	101	101
Measurement L	mm	455	715	710	710	715
Measurement M	mm	50	50	50	50	50
Noise level under	dB(A)	60 ÷ 80				

N. B.: Nominal noise values. Values may vary according to environment and manner in which the unit is installed

APPROVALS



CE marking

IP protection degree



Electrical insulation

CLASS I



Industrial Motor Matic – Blowing motors

Device in compliance with the following standards

EC DIRECTIVES:

- 2006/42/CE

- 2006/95/CE
- 2004/108/CE

APPLIED HARMONISED STANDARDS :

- EN 60335-1 : 2012
- EN 60335-2-2 : 2010
- EN 61000-3-2 : 2006 + A2 : 2009
- EN 61000-3-3 : 2008
- EN 55014-1 : 2006 + A1 : 2009
- EN 55014-2 : 1997 + A2 : 2008
- EN 62233: 2008

ROHS DIRECTIVE 2002/95

COMPLIANCE TO REACH DIRECTIVES.

N.B.: installation must be carried out in strict compliance with current regulations.

INSTALLATION HINTS

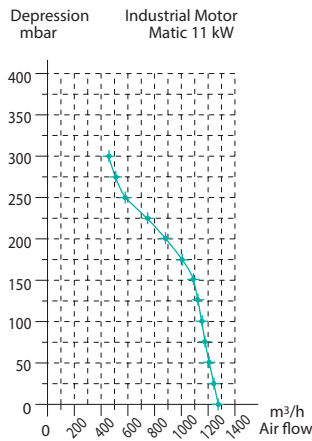
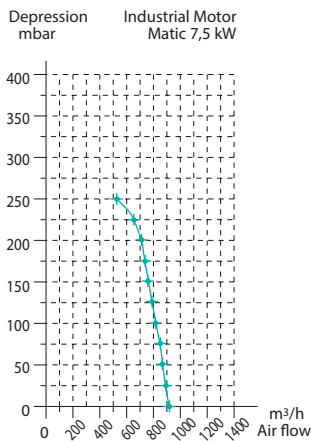
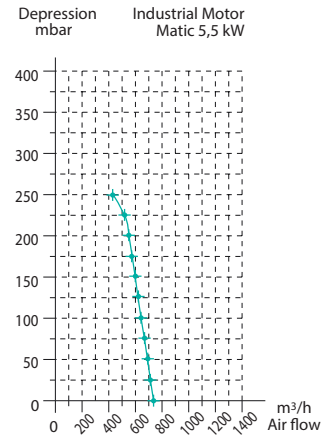
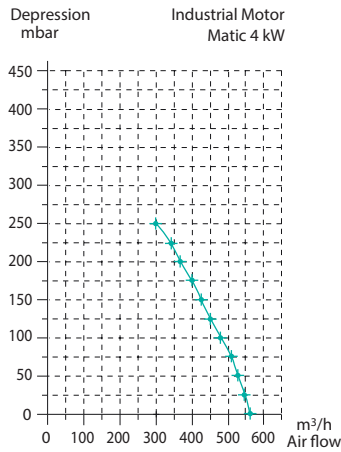
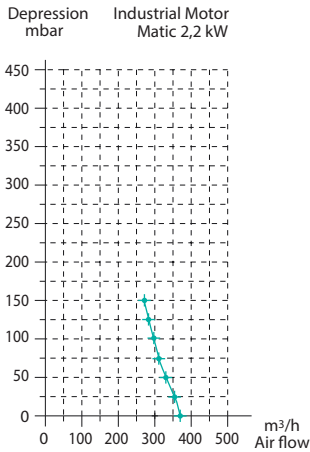
Blowing motors are equipped with an air discharge connection, in order to expel dust particles that the filter cannot hold. They can be placed in soundproofed technical rooms or utility rooms (for example garages, basements, etc.) to protect the other rooms from noise and to keep them protected from bad weather, humidity and temperature extremes. Keep away from heat sources, such as stoves or radiators. (N.B.: IP protection degree 20).

In the design stage, we recommend identification of the best location for the central unit with respect to the system, leaving a reasonable space for installation, use, maintenance, a proper air exchange around the unit and passive acoustic requirements of the building.

If the system is installed in a building with several floors, we suggest placing the vacuum unit on the bottom floor.

In case of exposed pipes, to avoid dust deposits on the walls close to the pipes caused by static charges, we recommend making the pipe network with metal pipes, connected to the ground.

PERFORMANCE GRAPHS



MAINTENANCE AND ASSISTANCE

Programmed routine maintenance of central vacuum units must be done according to the instructions in the technical manual and on the display.

Checking that the electric motor is working correctly and possible air discharge obstructions must be carried out by qualified and/or authorised staff.

For more details, technical information and assistance please visit our web site sistemair.com