



s i s t e m a i r . c o m

INSTALLATION
ACCESSORIES

CATALOGUE
2019

CENTRAL
VACUUM
SYSTEMS

Sistem Air

since 1993 Group

sistemair.com



QUALITY MATERIALS

ALL YOU NEED

NOTIONS

correct installation principles

1

MATERIAL

pipes, mounting plates
and installatio kits

2

EQUIPMENT

tools to realize the perfect
installation

3

Certified quality



PVC piping (non plastic polyvinyl chloride, PVC-U), 50 mm Ø - 2,2 mm tickness for air vacuum, self-extinguishing piping, cat. 1 according to material (classification according to the Ministerial Decree 26.06.1984 based on ISO 1182, UNI 8457 test methods. Grey colour.

Compliance with legislation based on ex UNI 7443:1985 + F.A. 178:1987

P.I.I.P. certification issued by the Italian Institute of Plastics. Applied compliance label: PiiP/c 261.

Suitable for glued joints.



FOR THE BEST RESULTS

VACUUM INLETS AND ACCESSORIES



The attention that Sistem Air dedicates to all its products cannot fail with regard to accessories: they represent the final element of the system, which completes the global quality and contributes to increase the effectiveness of cleaning compared to traditional portable vacuum cleaners. Each brush allows to obtain a deep cleaning, more lasting and with less effort: a small revolution that deserves to be branded Sistem Air.

FLISY 2

we have improved the perfection

1

NATURAL TRENDY

Better use, long lasting

2

VIRTUS

the strength of excellence with an impeccable design

3

THE ACCESSORY FOR PROFESSIONALS

ROLL FLEX MOTORIZED HOSE REEL

ALWAYS READY
TO USE

1

GREAT
COVERAGE

2

PROFESSIONAL
USE

3



Roll Flex is the evolution of the traditional wall-mounted hose-reels with motorized system to roll up and down, it is robust and designed with mechanical and electrical components capable to resist to numerous cycles of use.

Automatic ON/OFF switching of the suction

Professional cleaning with a simple button!

[Discover Roll Flex at page. 76](#)

INDEX

VACUUM INLETS

VACUUM INLETS



Rectangular



Squared

- RECTANGULAR vacuum inlets
- SQUARED vacuum inlets
- DESIGN vacuum inlets
- SPECIAL vacuum inlets
- VACPAN vacuum inlets
- FLEXIN system

Page 9
Page 16
Page 17
Page 19
Page 21
Page 23

INSTALLATION MATERIAL

INSTALLATION MATERIAL



- Installation basics
- Mounting plates
- Extension kit
- Installation material
- Installation Kit
- Metal installation material

Page 33
Page 40
Page 43
Page 45
Page 48
Page 50

CLEANING KIT AND ACCESSORIES

CLEANING KIT AND ACCESSORIES



- Flisy 2
- System Tech Flisy
- Complete accessories kit with Flisy
- Complete accessories kit
- Single accessories Ø 32
- Special separators
- Single accessories Ø 40
- Motorised hose reel ROLL FLEX

Page 59
Page 63
Page 68
Page 69
Page 70
Page 74
Page 75
Page 76

EQUIPMENTS AND SYSTEMS

EQUIPMENTS AND SYSTEMS



- Equipments
- Vacuum gauge
- Electronic control systems

Page 83
Page 84
Page 85

A constantly updated range, in order to meet the technical and aesthetic requirements of customers who always expect the best, from a leading company.

VACUUM INLETS

VIRTUS VACUUM INLETS	9
SQUARED VACUUM INLETS	16
DESIGN VACUUM INLETS	17
SPECIAL VACUUM INLETS	19
VACPAN	21
FLEXIN SYSTEM	23



VIRTUS VACUUM INLETS

VIRTUS THE STRENGTH OF EXCELLENCE

RECTANGULAR VACUUM INLETS **VIRTUS**

Virtus inlets are the result of a project that has been developed entirely by Sistem Air: it developed a product with impeccable design, with high stress resistance, absolutely identical to the domestic series used for electrical installations. Sistem Air vacuum inlets are available in different models, according to their use, and are able to satisfy different requirements: from domestic use, where aesthetics is the most important feature, to the professional area, that requires strength and functionality before design.

1 BEAUTIFUL

modern and attractive design

2 COMPATIBLE

it integrates perfectly with the domestic series

3 STRONG

designed and built to be indestructible

FIDELITY OF THE IMAGE WITH THE ORIGINAL PRODUCT

The Sistem Air vacuum inlets faithfully reproduce the shape, colors and finishes of the domestic series chosen for the electrical system, integrating perfectly with it. The result is of great harmony, and the models available are those of the main manufacturers on the market.

art. 1561.0

Virtus vacuum inlet for BTicino Living Light International

bticino

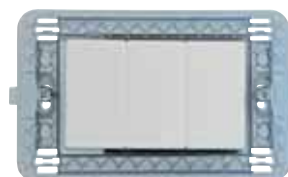
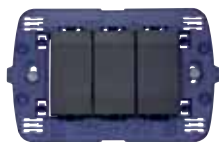
Support and keys Bticino Living Light anthracite

art. 1569.0

Virtus vacuum inlet for BTicino Matix white

bticino

Support and keys for Bticino Matix white



art. 1553.3

Virtus vacuum inlet for Vimar Plana Silver model

VIMAR

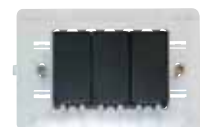
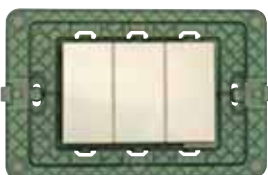
Support and keys Vimar Plana Silver

art. 1543.0

Virtus vacuum inlet for Simon Urmet Nea Anthracite

simon urmet

Urmet Nea Antracite support and keys



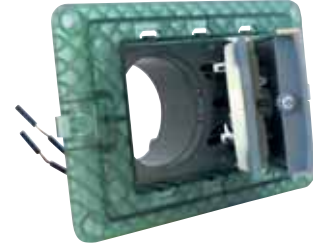
VIRTUS INLETS

DISTINCTIVE FEATURES OF THE PRODUCT

1 - Ergonomic opening, perfect sealing

The ergonomic tilting door is designed to **minimize the effort when opening the inlet**, thanks to a natural and effortless movement.

The door return spring and the new gasket allow a firm closure, **ensuring the tightness of the system** both when it is off and when one of the other vacuum inlets is used.



2 - Decorative frames always in place

The supports for fixing the aesthetic frames are identical to those of the original manufacturers, faithfully reproducing the connections: once the frame has been positioned, it will remain **perfectly fixed** on the support. This likeness is underlined by the color of the plastic materials used, which recalls that of the original support.



3 - Exceptional rigidity

The screws that fix the inlet body to the frame support give the assembly an **exceptional solidity**, which makes the inlet capable of endure the stresses caused by the insertion and removal of the flexible hose used for cleaning.



4 - Simplicity of installation

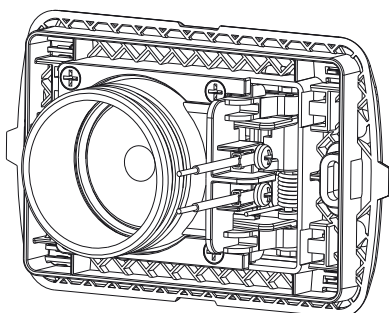
The Virtus inlet has also been designed to be installed with the **maximum simplicity**: the junction of the inlet body into the connector of the mounting plate has a **double housing for the sealing gasket**, so that it can be changed to always have the perfect seal even when the mounting plate is not fixed at the same level of the plaster, and it is necessary to use the specific extension kits (art. 1457.1 and 1450.8).

The electrical connection to the microswitch line coming from the vacuum unit is also simple, thanks to the cables equipped with wiring terminals.



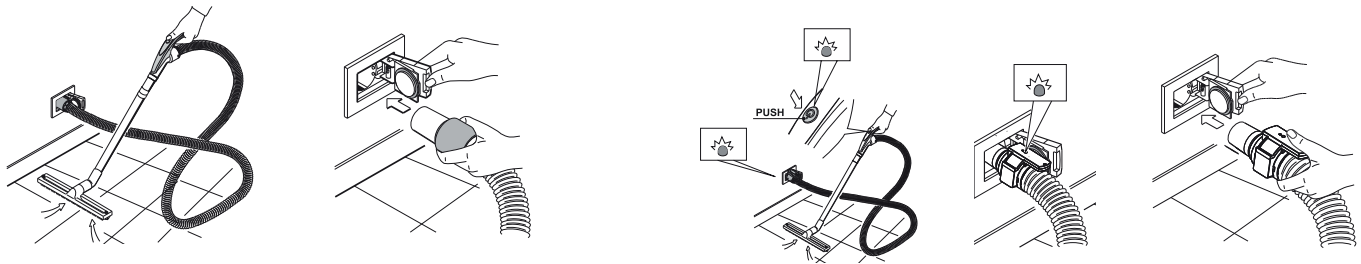
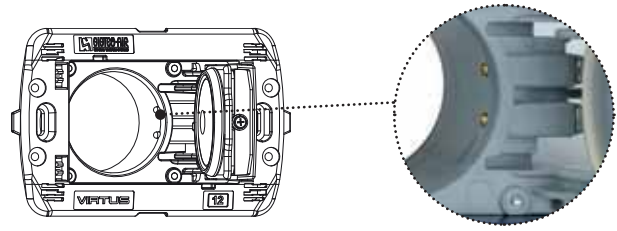
5 - Build quality

The materials chosen for the production and the careful assembly give the Sistem Air vacuum inlets an absolute quality, destined to remain unchanged over time.



6 - Universal use

The Sistem Air vacuum inlets, thanks to the contacts present in the mouth of the inlet, can be used indifferently:



- **with standard cleaning hoses** (starting the suction when the hose is inserted into the inlet. This happens thanks to the metal ring on the inlet hose fitting);

- **with ON-OFF type cleaning hoses** (suction start by means of a switch located on the handle of the hose). In particular, these inlets are suitable for use with the tube Wireless ON-OFF



Free to choose your style

The Sistem Air vacuum inlets do not need to be hidden, because they become an element of interior design, like the other visible components of the electrical system.

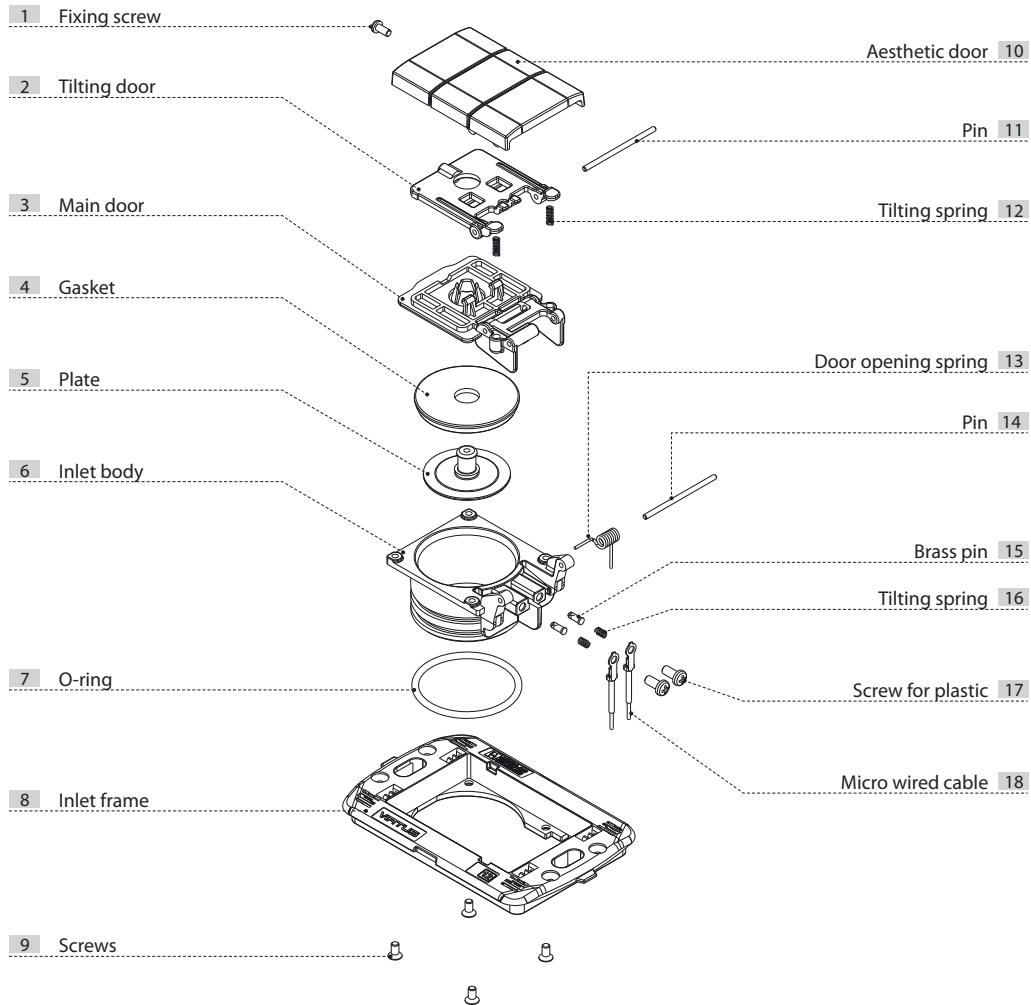


The fake aesthetic caps reflect the respective domestic series in every detail: not only in the shape of the fruits, but also in the colors and finishes. A perfect similarity that makes it possible to combine electrical switches and vacuum inlets without any "discordant note".

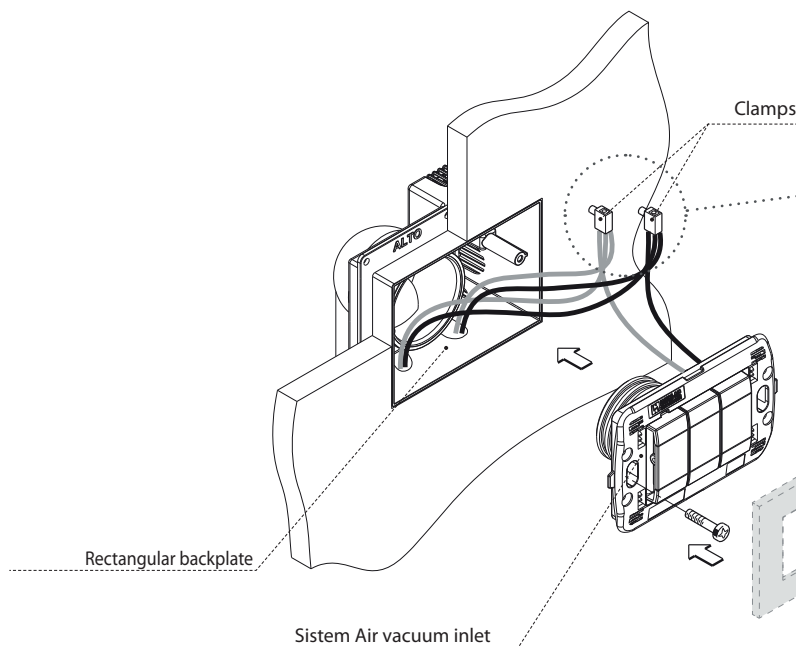


VIRTUS INLETS

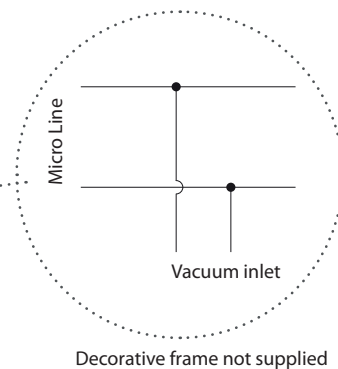
EXPLODED VIEW VIRTUS VACUUM INLET



VACUUM INLET FIXING



ELECTRICAL CONNECTIONS

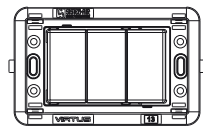


VIRTUS INLETS

SELECTION TABLE RECTANGULAR VACUUM INLETS

Sistem Air vacuum inlets are suitable for different installation and aesthetic requirements for every application.

Every vacuum inlet for rectangular backplates must be integrated with the finishing frame of the reference domestic series, while vacuum inlets for squared vacuum inlets have their aesthetic finishing, available in three different colors.

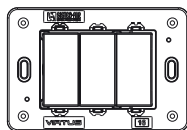


DOMESTIC VACUUM INLETS MOD. BTICINO

ARTICLE	PRODUCT DESCRIPTION	Packaging Pcs
1561.0	Vacuum inlet mod. BTicino Living International	10
1562.0	Vacuum inlet mod. BTicino Living Light	10
1564.0	Vacuum inlet mod. BTicino Axolute white	10
1565.0	Vacuum inlet mod. BTicino Light tech	10
1566.0	Vacuum inlet mod. BTicino Axolute black	10
1567.0	Vacuum inlet mod. BTicino Axolute silver	10
1568.0	Vacuum inlet mod. BTicino Luna white	20
1569.0	Vacuum inlet mod. BTicino Matix	10
1570.0	Vacuum inlet mod. BTicino Air black	10
1571.0	Vacuum inlet mod. BTicino Air white	10
1573.1	Vacuum inlet mod. BTicino Axolute Air anthracite	10
1573.2	Vacuum inlet mod. BTicino Axolute Air white	10
1573.3	Vacuum inlet mod. BTicino Axolute Air tech	10
1572.0	Vacuum inlet mod. BTicino Air tech	10
1573.4	Vacuum inlet mod. BTicino Living NOW white	10
1573.5	Vacuum inlet mod. BTicino Living NOW black	10
1573.6	Vacuum inlet mod. BTicino Living NOW sand	10

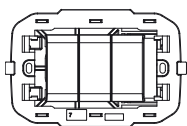
DOMESTIC VACUUM INLETS MOD. VIMAR

ARTICLE	PRODUCT DESCRIPTION	Packaging Pcs
1553.0	Vacuum inlet mod. VIMAR Idea black	10
1553.2	Vacuum inlet mod. VIMAR Idea white	10
1553.3	Vacuum inlet mod. VIMAR Plana silver	10
1553.4	Vacuum inlet mod. VIMAR Plana white	10
1553.5	Vacuum inlet mod. VIMAR Next /Eikon Evo Next	10
1558.0	Vacuum inlet mod. VIMAR Eikon/ Eikon Evo	10
1558.1	Vacuum inlet mod. VIMAR Eikon/ Eikon Evo white	10
1553.9	Vacuum inlet mod. VIMAR Arkè anthracite	10
1553.10	Vacuum inlet mod. VIMAR Arkè white	10

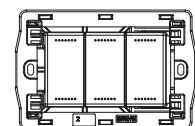


DOMESTIC VACUUM INLETS MOD. GEWISS

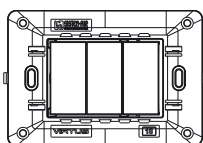
ARTICLE	PRODUCT DESCRIPTION	Packaging Pcs
1557.0	Vacuum inlet mod. GEWISS Playbus	20
1557.1	Vacuum inlet mod. GEWISS Chorus white	20
1557.2	Vacuum inlet mod. GEWISS Chorus black	20
1557.3	Vacuum inlet mod. GEWISS Chorus titanio	20



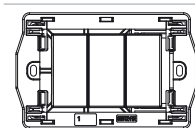
VIRTUS INLETS



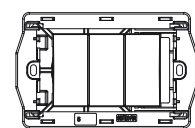
DOMESTIC VACUUM INLETS MOD. AVE		
ARTICLE	PRODUCT DESCRIPTION	Packaging Pcs
1552.0	Vacuum inlet mod. AVE Noir	1
1563.0	Vacuum inlet mod. AVE Blanc	1
1563.1	Vacuum inlet mod. AVE Ral	1
1563.2	Vacuum inlet mod. AVE Banquise white	1
1563.3	Vacuum inlet mod. AVE Touch black	1
1563.4	Vacuum inlet mod. AVE Touch white	1
1563.5	Vacuum inlet mod. AVE Life 44 black	1
1563.6	Vacuum inlet mod. AVE Domus 100 white	1
1563.7	Vacuum inlet mod. AVE Allumia S44	1
1563.8	Vacuum inlet mod. AVE Touch Allumia gray	1



DOMESTIC VACUUM INLETS MOD. SIMON URMET		
ARTICLE	PRODUCT DESCRIPTION	Packaging Pcs
1543.0	Vacuum inlet mod. SIMON URMET Nea anthracite	10
1543.1	Vacuum inlet mod. SIMON URMET Nea white	10
1543.2	Vacuum inlet mod. SIMON URMET Nea dark steel	10
1543.3	Vacuum inlet mod. SIMON URMET Nea white ice	10
1543.4	Vacuum inlet mod. SIMON URMET Nea aluminium	10



DOMESTIC VACUUM INLETS MOD. LEGRAND		
ARTICLE	PRODUCT DESCRIPTION	Packaging Pcs
1551.3	Vacuum inlet mod. LEGRAND Vela white	1
1551.4	Vacuum inlet mod. LEGRAND Vela black	1



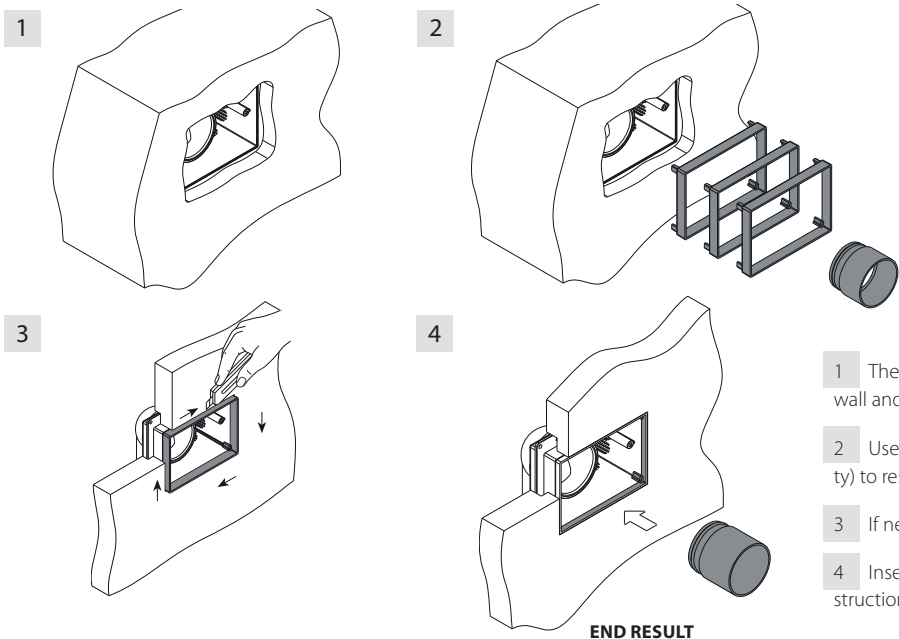
DOMESTIC VACUUM INLETS MOD. ABB		
ARTICLE	PRODUCT DESCRIPTION	Packaging Pcs
1541.0	Vacuum inlet mod. ABB elos	1
1542.0	Vacuum inlet mod. ABB light	1
1542.1	Vacuum inlet mod. ABB Mylos black	1
1542.2	Vacuum inlet mod. ABB Mylos white	1

EXTENSIONS FOR VACUUM INLETS

INSTRUCTIONS FOR EXTENSION TOOLS

1 - art. 1450.8 Extension kit for backplate (art. 1450.0 e 1450.1)

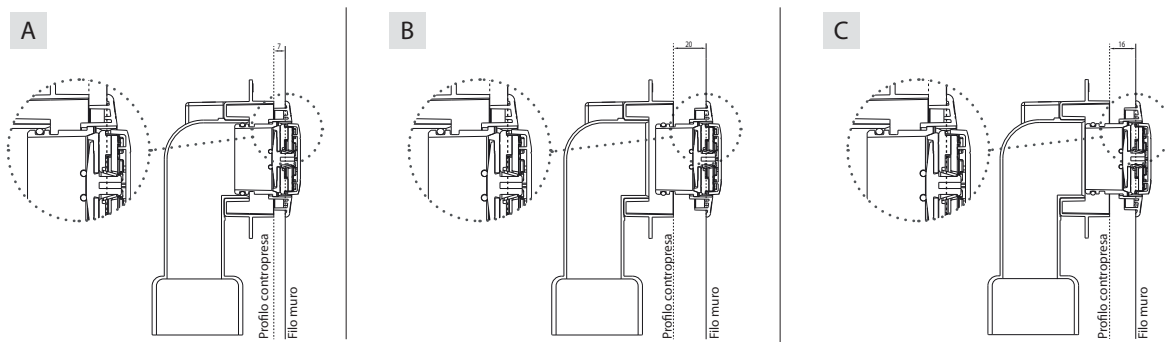
The extension kit for rectangular backplate allows correction in situations where the backplate is set back from the edge of the plaster. With the extension sleeve, the seal is restored, while the three modular frames cover the masonry around the inlet, allowing the right positioning. Extension kits can be combined up to the required size.



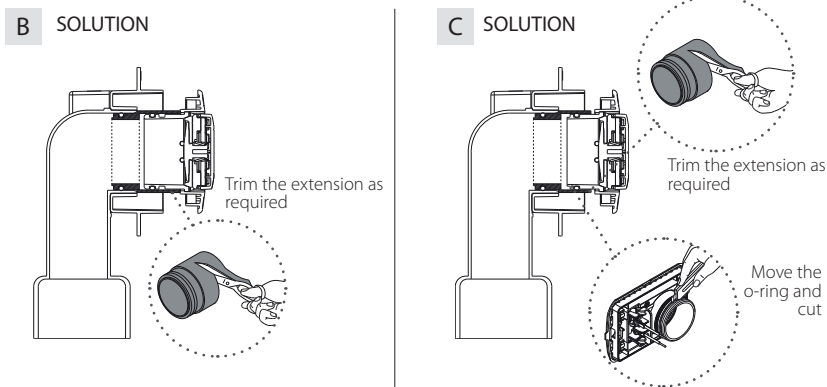
- 1 The backplate is walled back from the level of the wall and the masonry is uneven.
- 2 Use the extension frames (the appropriate quantity) to restore a regular surface for the inlet fixing.
- 3 If necessary, trim the frame surplus.
- 4 Insert the extension sleeve by following the instructions below.

2 - art. 1457.1 Extension for all domestic vacuum inlets

The backplate extension can correct those particular situations where the backplate is set back from the edge of the plaster, but restoring the bearing surface of the vacuum inlet is not necessary (e.g. coating panels, furniture, etc.). Extensions allow the restoring of the seal, and can be combined up to the required size.

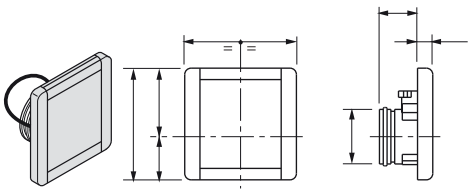


- A:** The backplate is set back from the edge of the plaster up to 7 mm:
EXTENSION IS NOT REQUIRED (ART. 1457.1)
- B:** The backplate is set back from the edge of the plaster more than 16 mm:
EXTENSION IS REQUIRED (it can be shortened as necessary)
- C:** The backplate is set back from the edge of the plaster between 16-18 mm:
The vacuum inlet must be shortened, moving the o-ring on the internal position and using the extension (which can be shortened as necessary)



SQUARE VACUUM INLETS

SQUARE VACUUM INLETS

		VACUUM INLETS FOR SQUARE BACKPLATE (ART. 1450.4B E ART.1450.5B)		
		ARTICLE	PRODUCT DESCRIPTION	Colour
1464.0B	SQUARE VACUUM INLET	<input type="checkbox"/> White	20	
1464.1B		<input type="checkbox"/> Ivory	20	
1464.2B		<input type="checkbox"/> Silver	20	



Square VACUUM INLET - white



Square VACUUM INLET - ivory



Square VACUUM INLET - silver

DESIGN SQUARE VACUUM INLET

DESIGN SQUARE VACUUM INLET

The DESIGN square vacuum inlets stand out for their great robustness and simple but elegant line, available in different colors to better adapt to the wall where they are installed.

ROBUST

indestructible, for daily use

1

BEAUTYFUL

simple, with a minimal design

2

RATIONAL

practical and comfortable fits every design

3

DISTINCTIVE FEATURES OF THE PRODUCT

1 - Simple and elegant aesthetic line

Sistem Air's Design vacuum inlets are characterized by simple and harmonious lines, created following the design of electrical systems in northern Europe, with rounded edges that soften the shape. The entire visible part of the Design inlet can be customized using covers, available in different colors, which allow you to create color combinations or contrasts with the wall where they are installed.



2 - Assembly quality

The materials chosen and the careful production give the Sistem Air vacuum inlets an absolute quality, which remains unchanged over time.



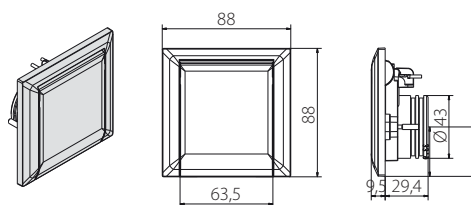
3 - Perfect fit

The double conic shape and the material chosen for the the gasket guarantee a perfect seal over the years.



DESIGN VACUUM INLET

DESIGN VACUUM INLET



DESIGN SQUARE INLETS		
ARTICLE	PRODUCT DESCRIPTION	Packaging Pcs
1467.0	Design squared vacuum inlet white colour*	1

* not suitable for installation on backplates art. 1450.12, 1450.13 e 1450.4C.

COVER SET

Design inlet covers are able to transform a functional element such as the vacuum inlet into a cheerful detail of design. Just choose the desired color, among the series of those available and, in a few seconds, replace the standard white cover mounted on the inlet.














Cover Set berry



Cover Set lemon

SELECTION TABLE - DESIGN COVERS

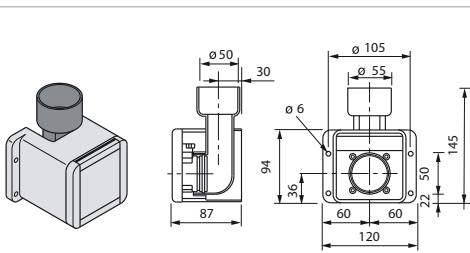
COVERS FOR DESIGN VACUUM INLETS			
	ARTICLE	PRODUCT DESCRIPTION	Packaging Pcs
	1467.C1	Cover set for Design vacuum inlet dark grey	1
	1467.C2	Cover set for Design vacuum inlet cream	1
	1467.C3	Cover set for Design vacuum inlet lemon	1
	1467.C4	Cover set for Design vacuum inlet silver	1
	1467.C5	Cover set for Design vacuum inlet black	1
	1467.C6	Cover set for Design vacuum inlet sand	1
	1467.C7	Cover set for Design vacuum inlet olive	1
	1467.C8	Cover set for Design vacuum inlet light grEY	1
	1467.C9	Cover set for Design vacuum inlet vanilla	1
	1467.C10	Cover set for Design vacuum inlet coffee	1
	1467.C11	Cover set for Design vacuum inlet berry	1

SPECIAL VACUUM INLETS

Sistem Air vacuum inlets are suitable for different installation requirements for domestic and professional application. Floor vacuum inlets and industrial vacuum inlets have a micro-switch with IP65 protection degree.

N.B. external industrial vacuum inlets have a connection for both rigid \varnothing 50 mm pipes and for \varnothing 63 mm pipes (using the sleeve as a connection, art. 1163.1).

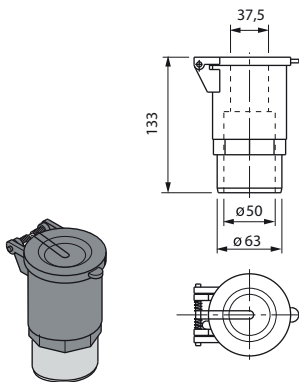
1 -External domestic vacuum inlet



EXTERNAL DOMESTIC VACUUM INLET FOR FLEXIBLE HOSE \varnothing 32 AND PVC PIPES \varnothing 50

ARTICLE	PRODUCT DESCRIPTION	Colour	Packaging Pcs
1459.5	External domestic vacuum inlet	<input type="checkbox"/> White	1

2 -External industrial vacuum inlet



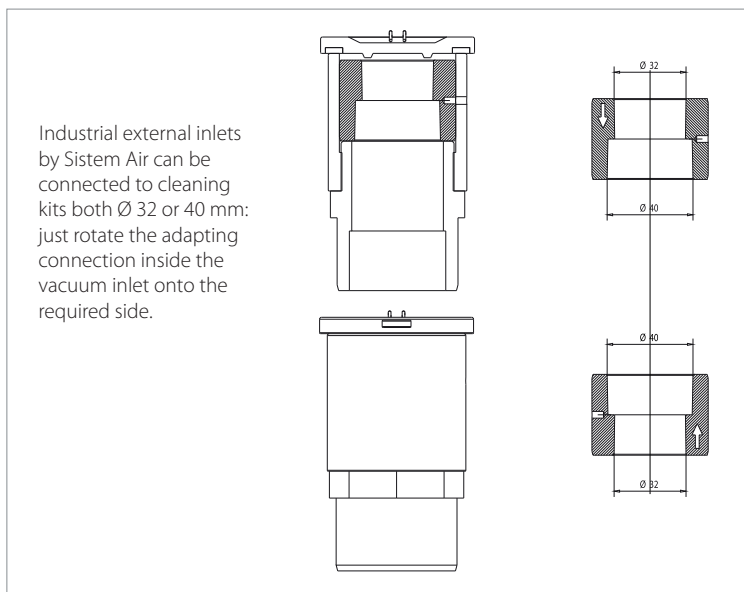
EXTERNAL INDUSTRIAL UNIVERSAL VACUUM INLET FOR FLEXIBLE HOSE \varnothing 32/40 AND PVC PIPES \varnothing 50/63

ARTICLE	PRODUCT DESCRIPTION	Packaging Pcs
1556.0	Industrial universal vacuum inlet \varnothing 32/40 mm (with micro-switch)	1

N.B.: antistatic version available (art. 1556.0A - 1556.0AX), see page. 53.



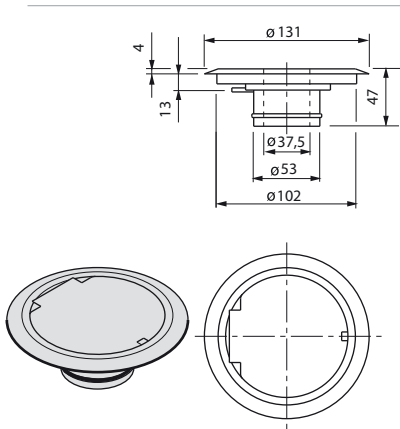
External industrial inlets



Industrial external inlets by Sistem Air can be connected to cleaning kits both \varnothing 32 or 40 mm: just rotate the adapting connection inside the vacuum inlet onto the required side.

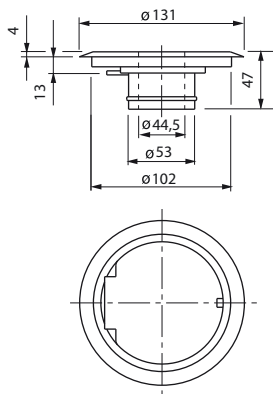
SPECIAL VACUUM INLETS

3 -Floor inlets



FLOOR INLETS FOR FLEXIBLE HOSE Ø 32

ARTICLE	PRODUCT DESCRIPTION	Colour	Packaging Pcs
1455.0A	Floor vacuum inlets (with micro-switch)	■ Grey	1
1455.0N		■ Black	1

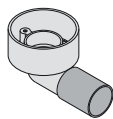


FLOOR VACUUM INLETS FOR FLEXIBLE HOSE Ø 40

ARTICLE	PRODUCT DESCRIPTION	Colour	Packaging Pcs
1455.2A	Floor vacuum inlets (with micro-switch)	■ Grigio	1
1455.2N		■ Nero	1

A - INSTALLATION WITH POURED FLOORS

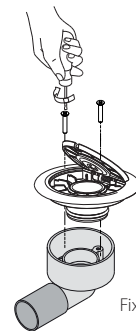
In the case of installation in POURED floors, the floor inlet requires the specific mounting plate available in two versions: with elbow connector and with straight connector.



Art. 1450.2
Mounting plate for floor inlet
(elbow connector)



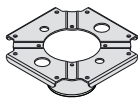
Art. 1450.3
Mounting plate for floor inlet
(straight connector)



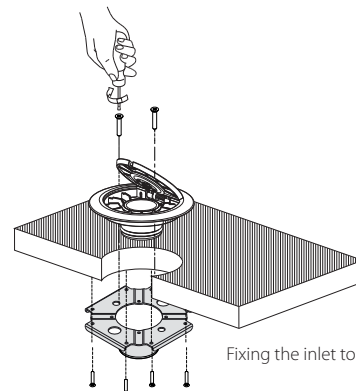
Fixing the inlet in the mounting plate

B - INSTALLATION WITH FLOATING FLOORS

In the case of installation in floating floors, the floor inlet can be fixed directly to the tile using the adapting support.



Art. 1450.23
Metal adapter for floor inlet



Fixing the inlet to the adapter

	EXTENSION FOR FLOOR INLETS		
	ARTICLE	PRODUCT DESCRIPTION	Packaging Pcs
	1457.2	Extension for floor inlets	1

	STEEL KEY FOR PROTECTED INLETS		
	ARTICLE	PRODUCT DESCRIPTION	Packaging Pcs
	1400.1	Steel key for protected inlets	5

VACPAN

VACPAN VACUUM INLETS

Sistem Air vacpan vacuum inlets are suitable to be installed in kitchen baseboards (see image below). Turning the system on and off occurs by means of a pedal placed on the frontal part of the inlet. Thanks to built-in backplate art. 1450.16 you can install the vacpan vacuum inlets also in the walls.

N.B. vacpan vacuum inlets are equipped with electrical contact for the vacuum unit control.

	VACPAN VACUUM INLET			
	ARTICLE	PRODUCT DESCRIPTION	Colour	Packaging Pcs
	1464.2	Vacpan vacuum inlet with micro-switch	<input type="checkbox"/> White	1
	1464.3		<input checked="" type="checkbox"/> Black	1
1464.5	<input type="checkbox"/> Silver		1	



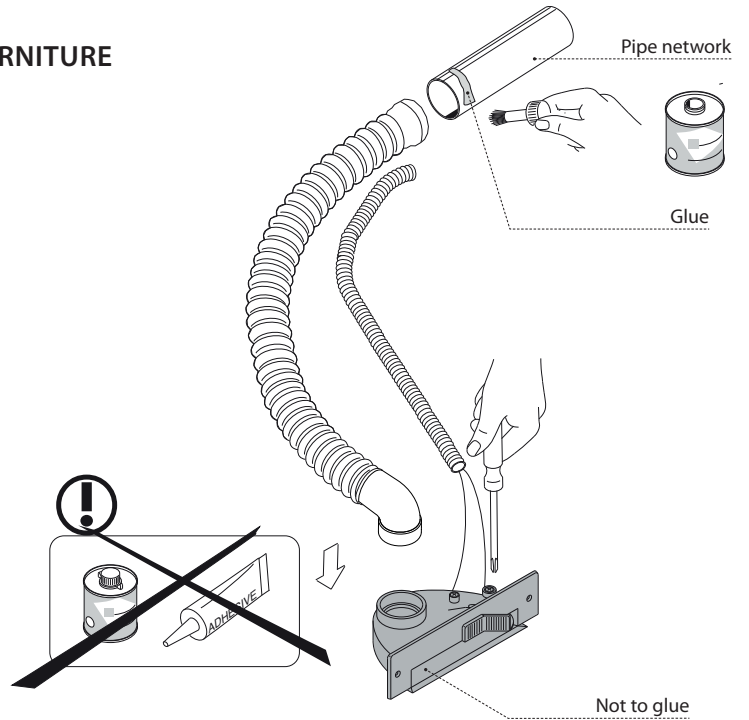
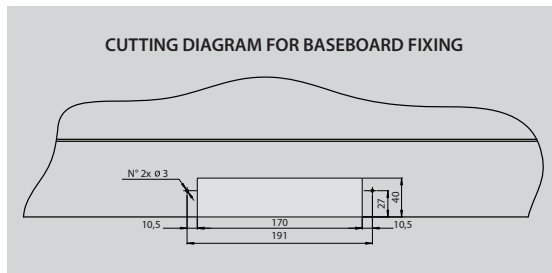
VACPAN VACUUM INLETS

VACPAN INSTALLATION

Sistem Air vacpan inlets are designed to be installed in the baseboard of the kitchen furniture or on the wall. During installation it is necessary to bring the pipe network and the microswitch line close to the installation point.

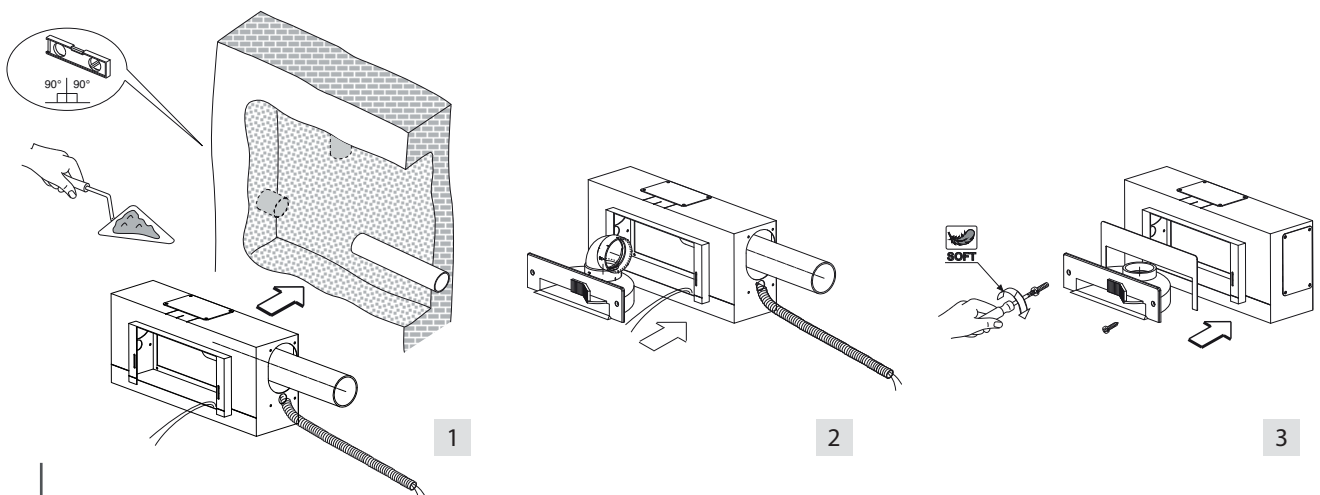
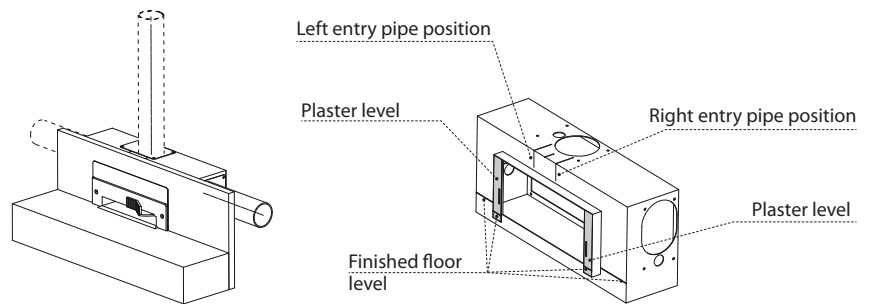
A - IN THE BASEBOARD OF THE KITCHEN FURNITURE

Sistem Air vacpan are extremely simple to install. In fact, they are supplied with a flexible connection hose which at one end fits the pipe network 50 mm diameter (or 2") by gluing with the same glue used for installation pipes, while a 90° short elbow is integrated in the other end which engages in the vacpan inlet (not to be glued, to facilitate disassembly in case of inspections behind the baseboard where the inlet is fixed).



B - BUILT IN INSTALLATION

For built-in installation it is necessary to use the specific mounting plate art. 1450.16 (see page 41 for dimensions). It is possible to connect the vacpan inlet from the side (right or left) or from above. All the measures to facilitate installation are indicated on the mounting plate.



VACUUM INLET FOR RETRACTABLE FLEXIBLE HOSE

The system with Flexin retractable hose has been designed to be used in all those applications where traditional hose is not required: Sistem Air offers it in its most advanced version, extremely easy to install and to use, thanks to the ON / OFF wireless control Flisy.

THE COMFORT OF THE RETRACTABLE HOSE

With Flexin the flexible hose retracts inside the installation pipe network at the end of the cleaning operations: it doesn't need further recovery space and it is ready for the following use.

5 EASY STEPS AND YOU FORGET ABOUT



1 – open the door



2 – extract the flexible hose (to the required length)



3 – fix the hose to avoid its return (now vacuum starts)



4 – insert the specific handle



5 – add the accessory you need: you are ready for cleaning!

WHEN THE CLEANING OPERATIONS ARE OVER...



1 – remove the handle



2 – release the flexible hose



3 – lightly cover the entry: the hose will be "sucked down" in the pipe network



4 – close the door (now vacuum stops)



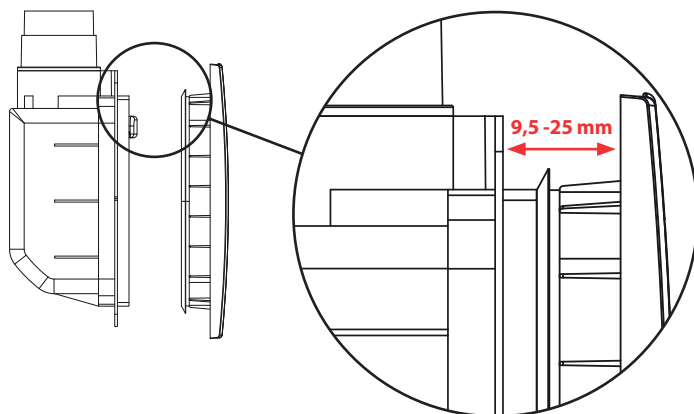
- Flexin backplate
- Save-plaster cover
- Flexin door

FLEXIN

MAIN FEATURES OF THE PRODUCT

1 - Easy to install on the wall

Backplate for Retraflex system is easy to install on wood, plaster or brick walls. The door connection of the backplate has a 25 mm stroke which enables it to adapt easily to the level of the finished wall, without the need for extensions. The watertight door is always perfect.



2 - Adjustable aesthetic finishing

4 covers in different colours and finishings are available, adaptable to all environments.



3 - System Tech Flisy ON / OFF wireless system compatible

The Flexin retractable hose is also available with the System Tech Flisy ON/OFF wireless system, which combines the comfort of the wireless ON / OFF control with the certainty of signal reception, thanks also to the absence of batteries in the receiver module. The reliability of the system is confirmed by the lifetime warranty on the electronic components, again present on this version of the Flisy.



Wireless

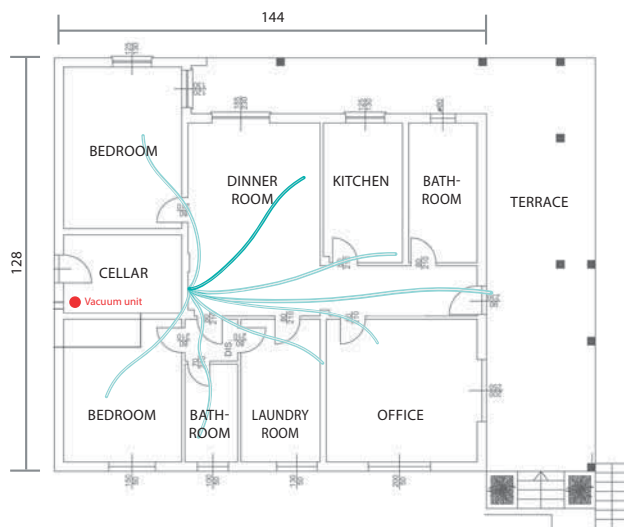


Lifetime guarantee

INSTALLATION PLAN WITH FLEXIN RETRACTABLE HOSE

- The installation pipe where the retractable hose will be sucked must have a length at least equal to that of the flexible hose.
- This path must not have any derivations and must be realized with specific pipe and fittings dedicated to Flexin system. The remaining part of the pipe network can be made indifferently with the same dedicated material or with the standard gray material available on the Sistem Air catalogue.
- The Flexin backplate has a thickness of about 10 cm: when designing the system, it is necessary to provide that the Flexin inlet points are installed in walls of sufficient thickness.
- We recommend installing the Flexin inlet at a height of about one meter from the floor.

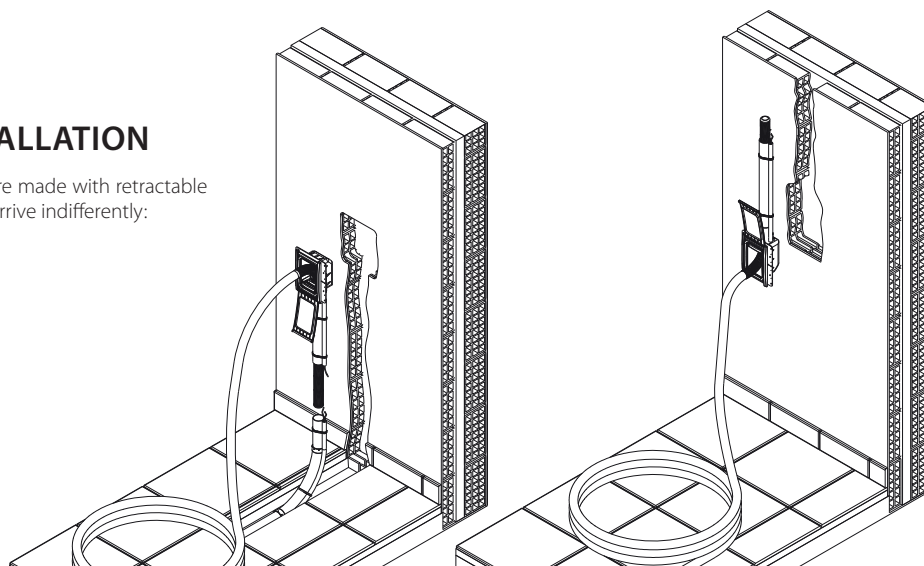
The hoses come complete with cleaning accessories and are available in lengths of 9, 12 and 15 m, to allow maximum surface coverage with the fewest possible hoses.



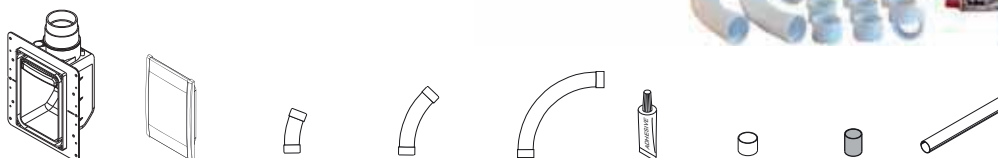
FLEXIBILITY OF INSTALLATION

With Flexin, all cleaning operations are made with retractable hoses. Pipe network installation can arrive indifferently:

- A) From below (i.e. under the floor)
- B) From above (i.e. countertop)



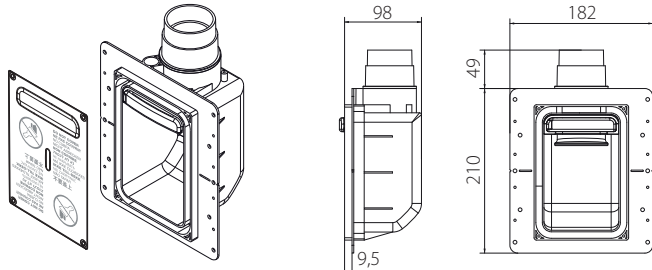
1 - Flexin installation kit 1 inlet

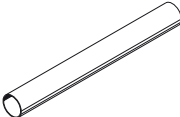



Article	Flexin inlet pcs	Door for Flexin inlet pcs	Elbow 22,5° 2" wide range pcs	Elbow 45° 2" wid range pcs	Elbow 90° 2" wid range pcs	Glue 60 gr pcs	Sleeve PVC 2" pcs	Adapter 50/2" pcs	PVC pipe Ø 2" m
7230.1	1	1	2	2	3	1	11	1	16


INSTALLATION FLEXIN


SPECIAL INSTALLATION MATERIAL FOR FLEXIN SYSTEM

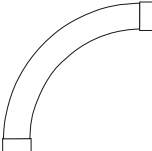
	Backplate for Flexin inlet		
	ARTICLE	PRODUCT DESCRIPTION	Packaging pcs
	1450.30	Backplate for Flexin inlet	1

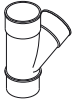
	PVC pipe Ø 2", 1,4 thick, white, Sistem Air (2 m bar)		
	ARTICLE	PRODUCT DESCRIPTION	Packaging pcs
	1851.0	PVC pipe Ø 2", 1,4 thick, white Sistem Air (2 m bar)	1


	PVC sleeve 2" white Sistem Air		
	ARTICLE	PRODUCT DESCRIPTION	Packaging pcs
	1151.1	PVC sleeve 2" white Sistem Air	20

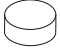
	PVC elbow 22,5° FF Ø 2" white Sistem Air		
	ARTICLE	PRODUCT DESCRIPTION	Packaging pcs
	3051.6	PVC elbow 22,5° FF Ø 2"	1


	PVC elbow 45° FF Ø 2" larg white Sistem Air		
	ARTICLE	PRODUCT DESCRIPTION	Packaging pcs
	3051.7	PVC elbow 45° FF Ø 2" large	1


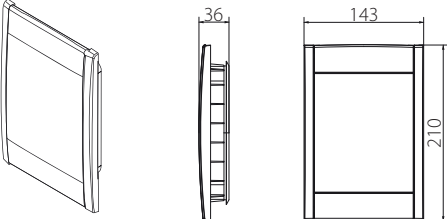
	PVC elbow 90° FF Ø 2" large white Sistem Air		
	ARTICLE	PRODUCT DESCRIPTION	Packaging pcs
	3051.8	PVC elbow 90° FF Ø 2" large	1

	PVC derivation 45° FFF 2" white Sistem Air		
	ARTICLE	PRODUCT DESCRIPTION	Packaging pcs
	4051.2	PVC derivation 45° FFF 2" white Sistem Air	35

	Fixing for pipe 2" white Sistem Air		
	ARTICLE	PRODUCT DESCRIPTION	Packaging pcs
	1401.0	Fixing for pipe 2" white Sistem Air	20

	Pipe cap 2" white Sistem Air		
	ARTICLE	PRODUCT DESCRIPTION	Packaging pcs
	5051.1	Pipe cap 2" white Sistem Air	8








	PVC sleeve Ø 2"/50 mm Sistem Air		
	ARTICLE	PRODUCT DESCRIPTION	Packaging pcs
	1150.4	PVC sleeve Ø 2"/50 mm Sistem Air	1








	Flexin cover		
	ARTICLE	PRODUCT DESCRIPTION	Packaging pcs
	1490.0	White cover for Flexin inlet	1
	1490.1	Black cover for Flexin inlet	1
	1490.2	Aluminum cover for Flexin inlet	1
	1490.3	Bronze cover for Flexin inlet	1
			

INSTALLATION FLEXIN

FLEXIN COMPLETE KIT

Sistem Air kits are suitable for both domestic and professional applications.


FLEXIN ACCESSORY KIT 		
ARTICLE 7232.9 7232.12 7232.15	(with 9 m flexible hose) (with 12 m flexible hose) (with 15 m flexible hose)	
Article	Description	Q.ty
	- Flexible hose	1
	7039.5 Handle	1
	7040.1 Telescopic chromed extension	1
	7747.1 Floor brush 30 cm Natural	1
	7743.0 Dust brush Natural	1
	7745.0 Nozzle corner Natural	1

ACCESSORY KIT (flexible with sock) 		
ARTICOLO 7232.9P 7232.12P 7232.15P	(with 9 m flexible hose with sock) (with 12 m flexible hose with sock) (with 15 m flexible hose with sock)	
Article	Description	Q.ty
	- Flexible hose	1
	7039.5 Handle	1
	7040.1 Telescopic chromed extension	1
	7747.1 Floor brush 30 cm Natural	1
	7743.0 Dust brush Natural	1
	7745.0 Nozzle corner Natural	1


SPECIAL ACCESSORIES FOR FLEXIN


	Flexible hose Flexin Ø 32				
	Article	Colour	Material	Length m	Packaging Pcs
	7237.9	Silver	Plastic	9	1
	7237.12	Silver	Plastic	12	1
	7237.15	Silver	Plastic	15	1

	Flexin plastic handle			
	Article	Colour	Material	Packaging Pcs
	7039.5	Grey	Plastic	1

	Flexible hose Flexin Ø 32 with sock				
	Article	Colour	Material	Length m	Packaging Pcs
	7237.9P	Silver	Plastic/Wool	9	1
	7237.12P	Silver	Plastic/Wool	12	1
	7237.15P	Silver	Plastic/Wool	15	1

SISTEM TECH FLISY FOR FLEXIN

	Sistem Tech Flisy			
	Article	Colour	Material	Packaging Pcs
	7039.4W	-	Plastic	1

	Sistem Tech Flisy receiver		
	Article	Material	Packaging Pcs
	3301.12	-	1

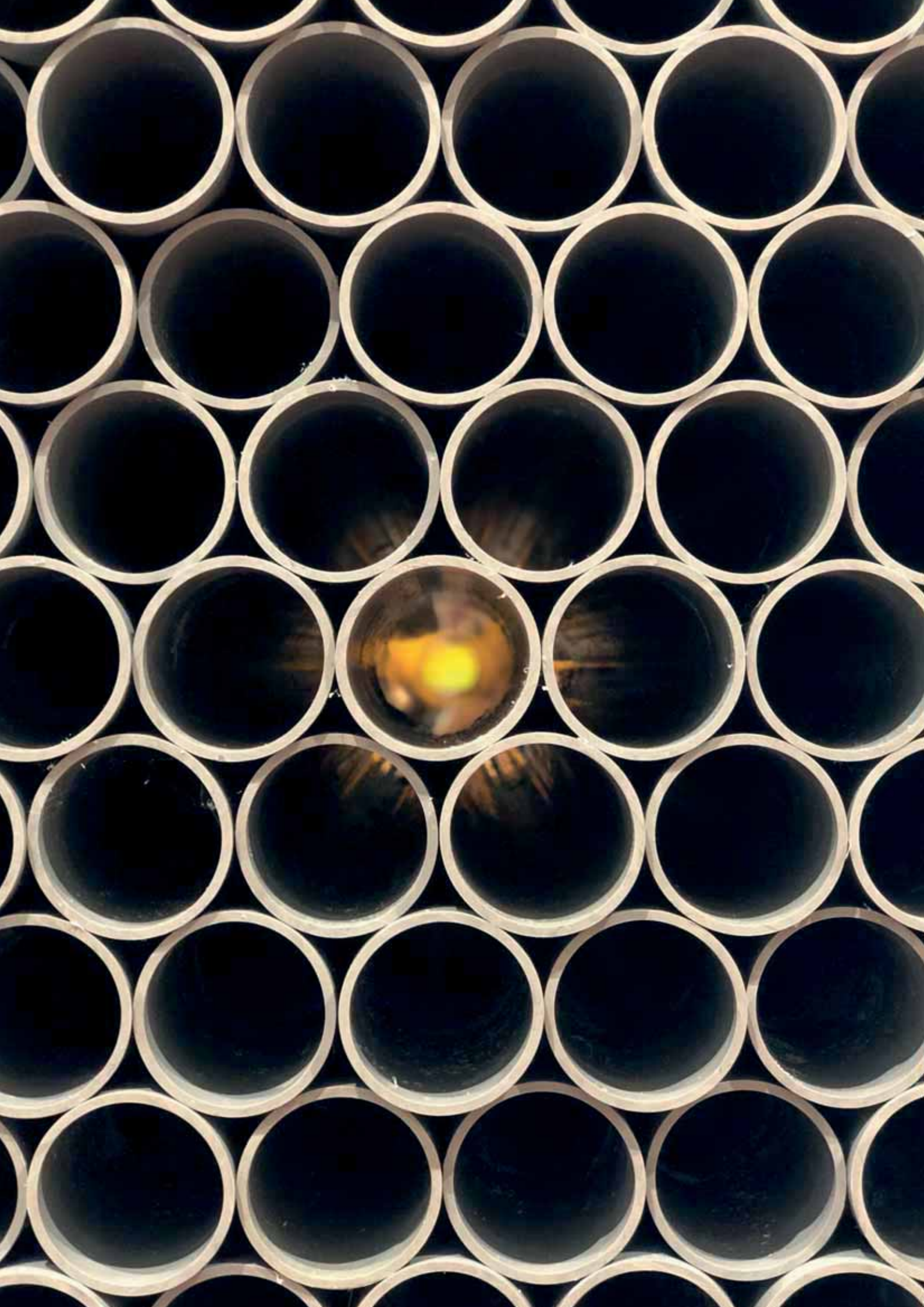
Sistem Air vacuum inlets are efficient, elegant and strong in every application



Sistem Air installation material allows the construction of systems suitable for different installation requirements, always granting the best performance of the installed vacuum units.

INSTALLATION MATERIAL

INSTALLATION BASICS	33
PVC INSTALLATION MATERIAL	39
INSTALLATION KITS	48
METAL INSTALLATION MATERIAL	50



INSTALLATION BASICS

Sistem Air piping is made of self-extinguishing PVC, realized to guarantee perfect coupling between pipes and fittings. The pipes are self-extinguishing, antistatic and calibrated with thicknesses of 2.2 mm for the Ø 50 mm pipe, and 3 mm for the Ø 63/80/100 mm. Junctions are made by gluing, with special self-sealing glue, which guarantee a perfect seal of the glued components.

The correct preparation and installation of the pipe network guarantee the proper functioning of the system. This is to be considered the most important phase to obtain optimal functioning. All installers are advised to scrupulously observe the instructions below in order to simplify the operations of realizing the pipe network and obtain optimal system operation, thus maintaining performance over time.

PIPE CUTTER

indispensable for a perfect cut

1

SELF-SEALING GLUE

guarantee the right functioning of the system

2

QUALITY INSTALLATIONS

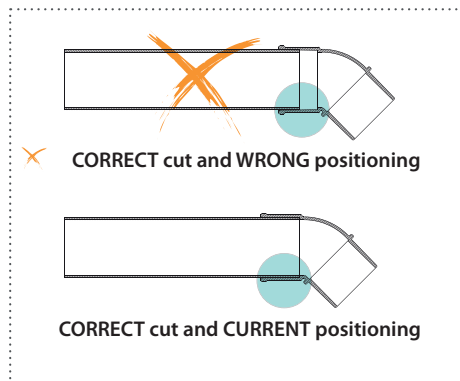
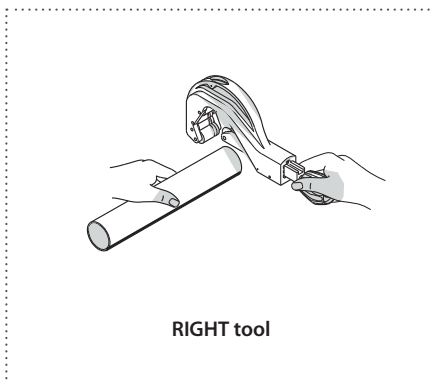
guidelines for correct installation

3

PIPE CUTTING AND CORRECT CONNECTION ASSEMBLY

In order to obtain the right pipe cut, use only the pipe-cutter tool, see page. 83.

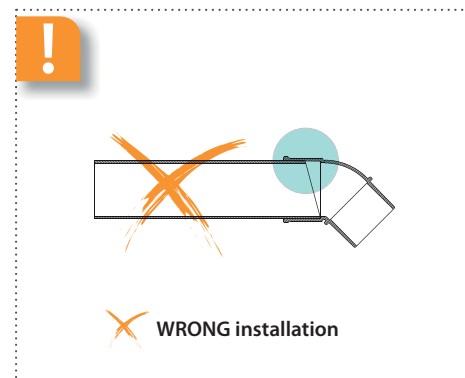
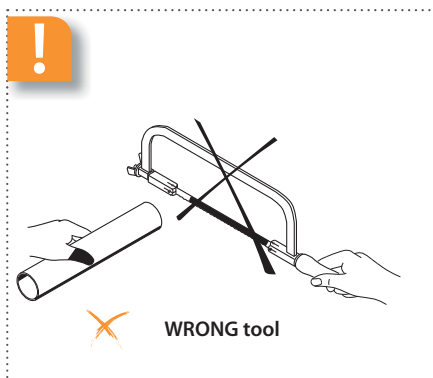
Pipes must always be correctly positioned: they must always be matched with the connection stop.



WRONG PIPE CUT EXAMPLES

Wrong cut tools

Example of cut made with the wrong tools.



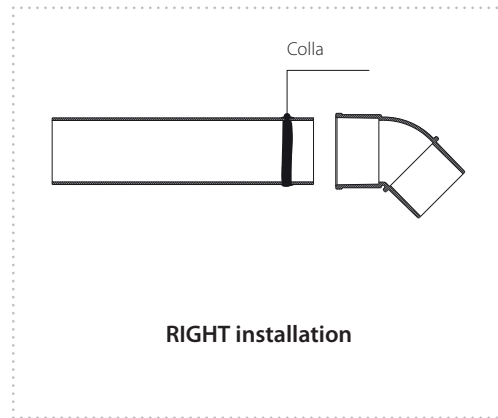
PIPE AND CONNECTION GLUEING

The phase of pipe and connection glueing is the most delicate of the central vacuum system, because, if not carried out correctly, it can generate system pressure loss, causing sedimentation of the vacuumed product inside the chased pipes.

The correct action is to spread the glue only on the pipe or on the male connection.

In this way, when the piping is fitted to the connector, any excess glue will overflow creating an extra hold ring.

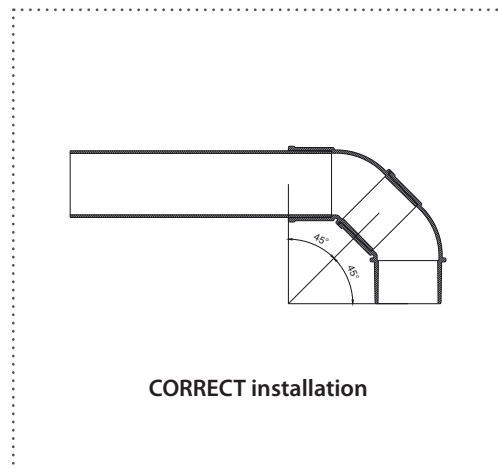
If the operation is carried out in reverse order, that is spreading the glue on the female part of the connector, the excess glue will drip inside the pipe.



RADIUS OF CURVATURE

The radius of curvature of the pipe network that has been installed externally or chased, must be done with 45° connectors that ensure air movement with the least possible effort, e.g. a 90° curve can be made in two different ways, the first one with a male female and female female curve connector; the second with a female female curve connector, a small piece of pipe and another female female curve connector.

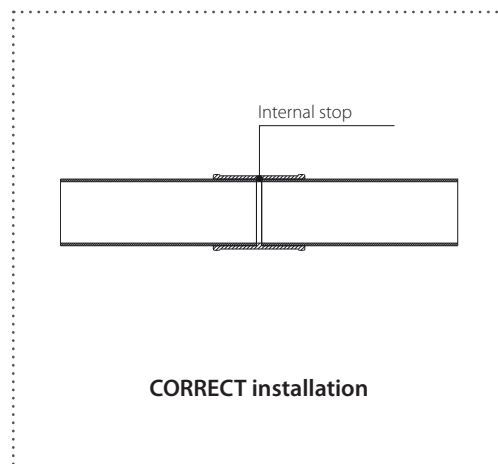
The fewer curve connectors installed in the system, the greater is the speed of the vacuumed air, with better final performance of the central vacuum system.



LINEAR CONNECTION OF THE PIPE

The pipe connection must be made with the appropriate double stop sleeve connection. The stop, present in all Sistem Air fittings, is the element that grants the perfect fit between pipes and connections.

In order for pipes to make a perfect stop with connections, without steps inside the pipes, the cut **MUST BE DONE** with the appropriate pipe cutter. This will ensure an exact, linear cut without burrs.



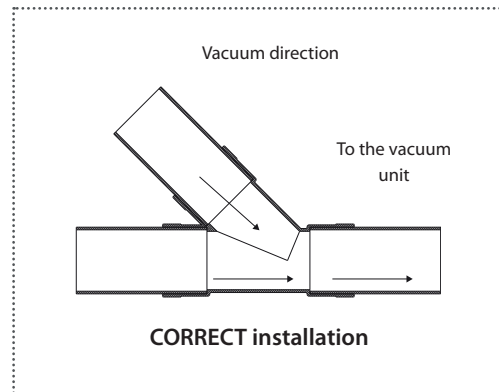
INSTALLATION BASICS

VACUUM DIRECTION

For multi vacuum inlet branching, use the female female 45° derivation connectors, or male female 45° derivation. This connector is used both for the derivation of a vacuum inlet on the same floor and for the construction of rising pipes on buildings with several floors.

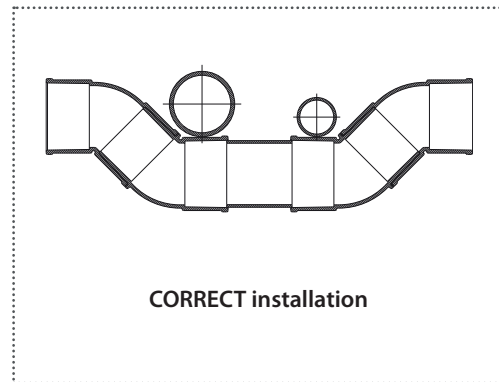
It is essential that the derivation is always correctly installed in relation to the system's vacuum direction (see figure).

The wrong installation of the derivation will inevitably provoke system obstruction.



SPECIAL SITUATIONS

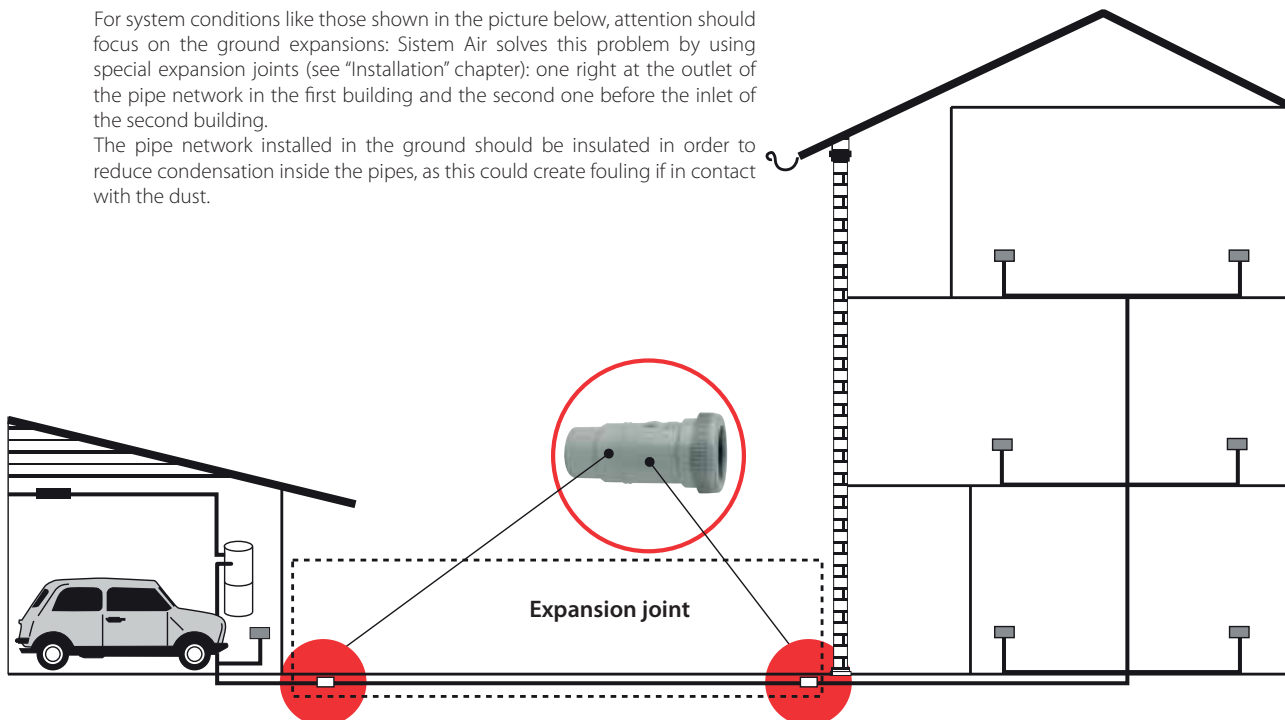
During installation you may encounter obstacles that cannot be overcome, because the foundation is not properly levelled: this problem can be resolved with a so-called underground passage. The underground passage should be made with a male female 45° curve connector, a female female 45° connector, a small piece of pipe, another male female 45° elbow connector and another female female 45° elbow connector. This operation should be carried out as little as possible on the same system, as it produces a considerable strain on the speed of the vacuumed air.



EXPANSION JOINT

For system conditions like those shown in the picture below, attention should focus on the ground expansions: Sistem Air solves this problem by using special expansion joints (see "Installation" chapter): one right at the outlet of the pipe network in the first building and the second one before the inlet of the second building.

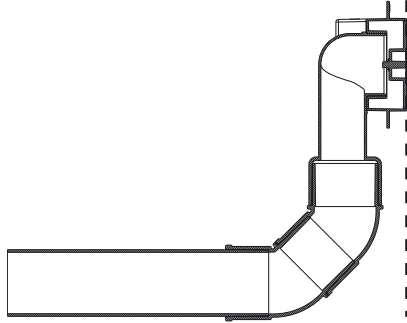
The pipe network installed in the ground should be insulated in order to reduce condensation inside the pipes, as this could create fouling if in contact with the dust.



UNIVERSAL MOUNTING PLATE WITH ELBOW CONNECTOR

The universal mounting plate with elbow connector, 7 cm thick only, can be installed in any kind of wall. The mounting plate has a rotating elbow connector to enable fixing to the connection at any point.

IMPORTANT: the mounting plate must always be flush wall-mounted.

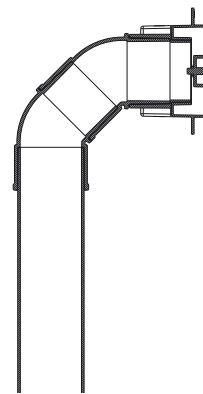


CORRECT installation

UNIVERSAL MOUNTING PLATE WITH STRAIGHT CONNECTOR

The universal mounting plate with straight connector is suitable for all particular situations (renovations, counter walls, movable walls etc.).

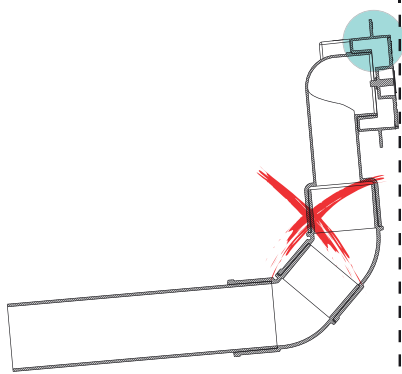
IMPORTANT: the mounting plate must always be flush wall-mounted.



CORRECT installation

MOUNTING PLATE WITH ELBOW CONNECTOR FIXING

Fixing the mounting plate with elbow connector to the wall or outside requires maximum precision so that, when the vacuum inlet is installed, the holding elements adhere perfectly. It is very important that the mounting plate box is perfectly flush wall-mounted.

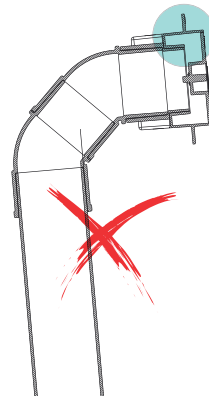


INCORRECT installation

MOUNTING PLATE WITH STRAIGHT CONNECTOR FIXING

Fixing the mounting plate with straight connector to the wall, or outside requires maximum precision so that when the vacuum inlet is installed, the holding elements adhere perfectly.

It is very important that the mounting plate box is perfectly flush wall-mounted.

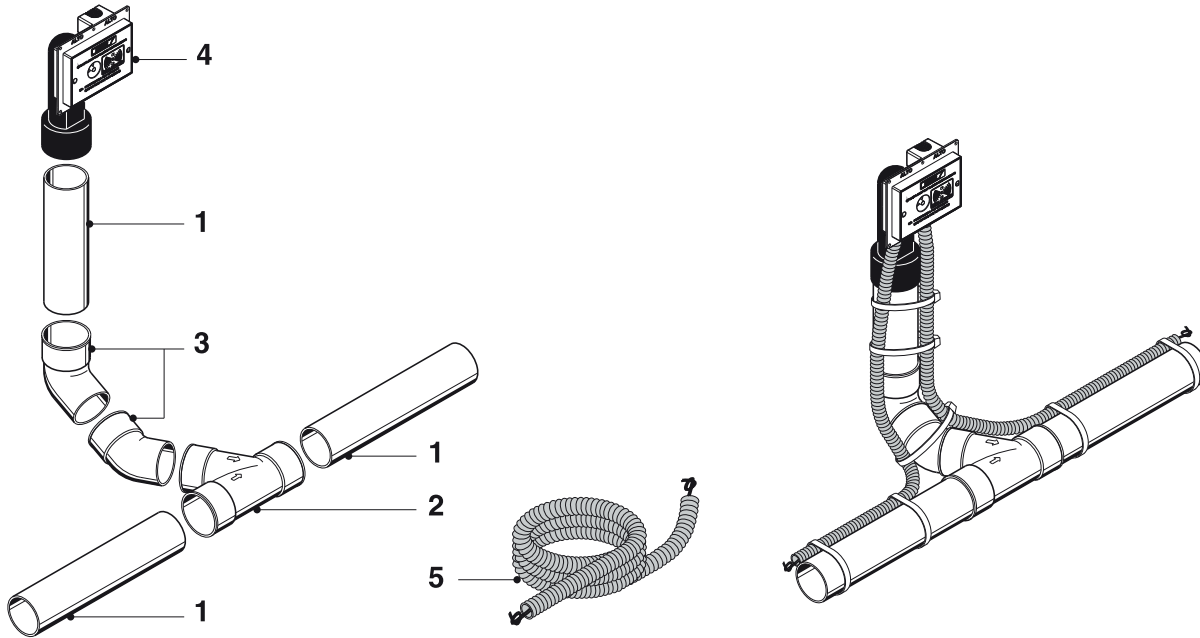


INCORRECT installation

INSTALLATION BASICS

EXAMPLE OF BASIC CONNECTIONS

Example of basic connection for single vacuum inlet installation.

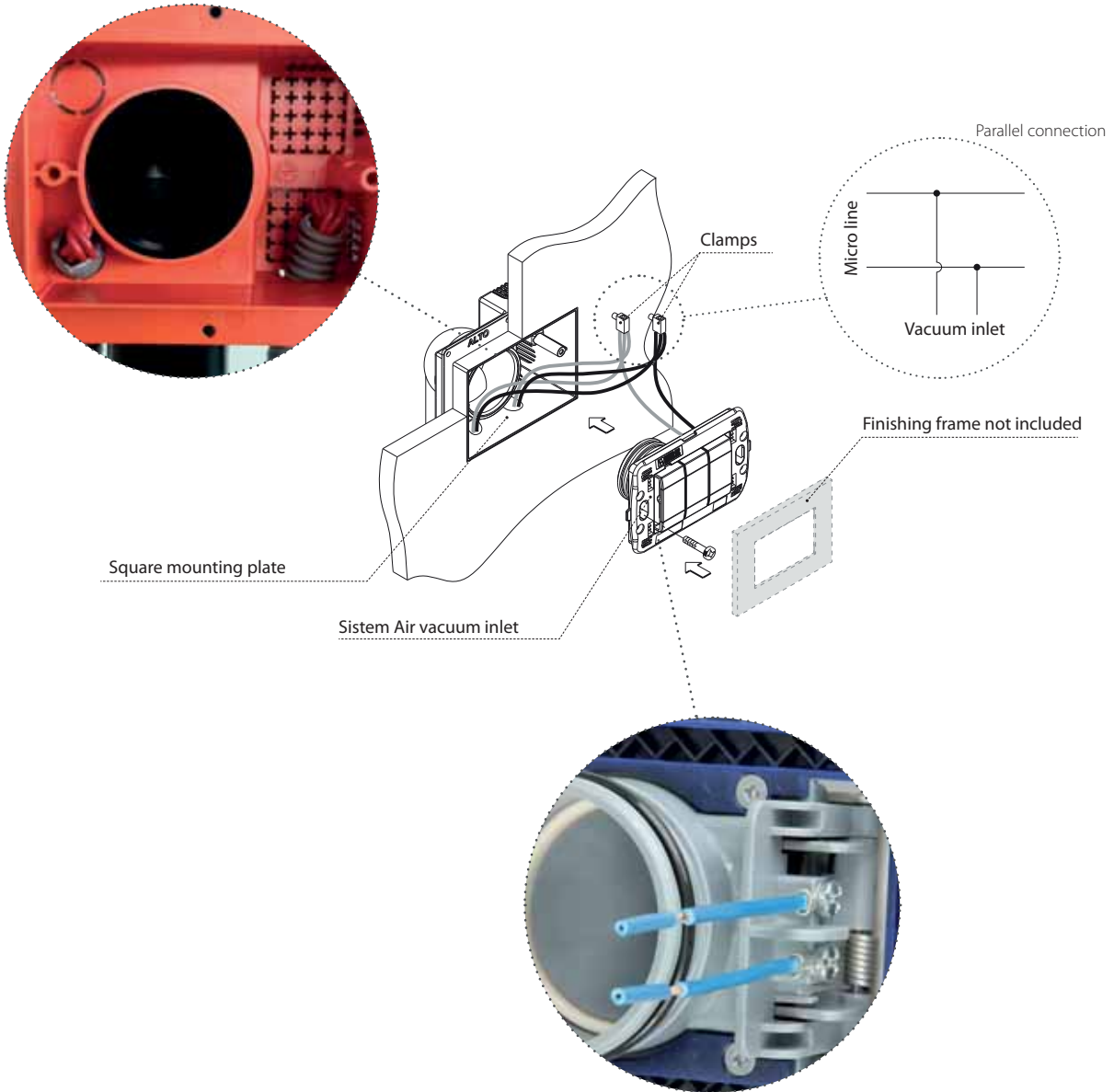


	ARTICLE	Product description
1	1850.0	PVC pipe 2,2 mm Ø 50
2	4050.1	45° FFF PVC derivation Ø 50
3	3050.0	45° MF PVC elbow connector Ø 50
4	1450.0	Standard mounting plate, straight connector with cover
5	9016.7	2x1 mm ² , 25 m pre-wired conduit
5	9016.0	2x1 mm ² , 50 m pre-wired conduit
5	9016.1	2x1 mm ² , 100 m pre-wired conduit

Example of vacuum inlet made according to correct installation standards.



VACUUM INLET ELECTRICAL CONNECTION



INSTALLATION MATERIAL

■ INSTALLATION MATERIAL



Installation FIELD

The Sistem Air PVC installation material is suitable for all installations of central vacuum systems and can be divided into four product categories:

- Gray piping Ø 40 and 50 mm with thickness 2.2 mm, Ø 63 - Ø 80 - Ø 100 with thickness 3 mm.
- Gray fittings Ø 40 and 50 mm with thickness 2.2 mm, Ø 63 - Ø 80 - Ø 100 with thickness 3 mm.
- Gray electrical conduit with inside N. 2 wires of 1 mm.
- Special self-sealing glue for joining pipes to fittings.

Distinctive features of the products

High quality and robust products for installation, meeting the strictest quality and safety approvals and certifications, able to satisfy the most demanding installation requirements.

- PVC pipes reduced to the minimum static charges.
- Gray colour in compliance with Uni standards.
- Rigid pipes, with fittings with a large radius of curvature.
- Fittings with angular reference marks for a correct coupling between pipes and fittings.
- Cold weldable PVC plastic material with special glue.
- Fire resistant PVC material according to resistance class M1 and CEI standards.
- Ø 16 mm pre-wired gray electrical conduit with CE, IMQ marking, suitable for ordinary and particular environments, where the use of a non-toxic product is necessary.
- Certification of the Italian Institute of Plastics for compliance with UNI standards.

Features:

Rigid type pipes with fittings with a large radius of curvature.

Cold weldable PVC plastic material with special glue. Certification of the Italian Institute of Plastics (I.I.P.num. 261) for compliance with UNI standards. Compliance with fire resistance according to CEI 23-29 rule.

Pipe network material selection criteria

The PVC pipes and fittings are suitable for all types of installation of central vacuum systems.

Where there are particular problems of mechanical resistance or in the case of installations of exposed pipes, metal pipes can be used.

Technical note:

When it is necessary to make an external section with rigid pipes, it is advisable to have adequate sectioning of the same with the addition of expansion joints (art. 5050.0 for Ø 50 mm and 5050.2 for Ø 63 mm).

Different materials affect the guarantee of the system and can create blockages in the pipe network.

Warning

The installation material, such as pipes and fittings, is expressly designed and built for central vacuum systems.

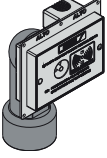
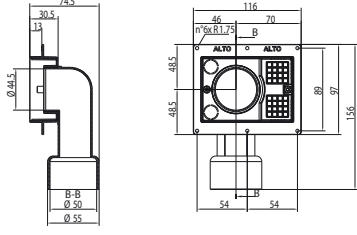

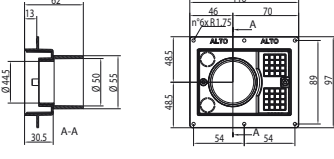
Using the dedicated installation material allows you to create systems with the maximum guarantee of performance and the safety to avoid the pipe clogging.

INSTALLATION MATERIAL

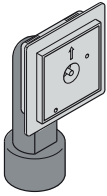
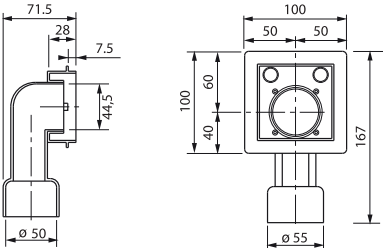
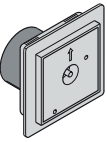
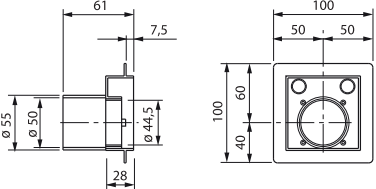
■ MOUNTING PLATE FOR BUILT-IN INSTALLATION WITH PIPE Ø 50 mm

The universal rectangular inlets with elbow connector are suitable for all vacuum inlets that fits the rectangular electric finishing frames, while the square mounting plates are suitable for square inlets which are already complete with an aesthetic finish in three different colors. All models are designed with pre-marked holes for the connection of the pre-wired conduit for the microswitch line.

1 - Mounting plates for Ø 50 rectangular vacuum inlets

RECTANGULAR UNIVERSAL MOUNTING PLATE Ø 50		ARTICLE	PRODUCT DESCRIPTION	Packaging Pcs
		1450.0	UNIVERSAL MOUNTING PLATE ELBOW CONNECTOR, WITH COVER	10
		RECTANGULAR UNIVERSAL MOUNTING PLATE Ø 2"		
		1450.1	UNIVERSAL MOUNTING PLATE STRAIGHT CONNECTOR, WITH COVER	10
		RECTANGULAR UNIVERSAL MOUNTING PLATE Ø 2"		

2 - Mounting plates for Ø 50 square vacuum inlets

SQUARE UNIVERSAL MOUNTING PLATE		ARTICLE	PRODUCT DESCRIPTION	Packaging Pcs
		1450.4B	UNIVERSAL MOUNTING PLATE ELBOW CONNECTOR, WITH COVER	10
		SQUARE UNIVERSAL MOUNTING PLATE		
		1450.5B	UNIVERSAL MOUNTING PLATE STRAIGHT CONNECTOR, WITH COVER	10
		SQUARE UNIVERSAL MOUNTING PLATE		

INSTALLATION MATERIAL

■ BUILT-IN MOUNTING PLATE FOR WALL INSTALLATION OF VACPAN

Thanks to the built-in vacpan art. 1450.16 it is possible to install vacpan inlets in the walls too.

BUILT-IN MOUNTING PLATE FOR WALL INSTALLATION OF VACPAN		
ARTICLE	PRODUCT DESCRIPTION	Packaging Pcs
1450.16	STEEL MOUNTING PLATE FOR VACPAN INLET	1

■ MOUNTING PLATES FOR FLOOR INLETS

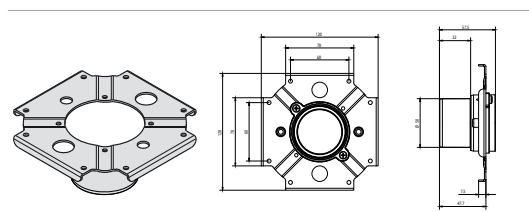
The mounting plates for floor inlets are made to last over time and resist the heaviest stresses. They are made of aluminum, therefore resistant to atmospheric agents, and their robustness makes them safe and reliable.

FLOOR MOUNTING PLATE ELBOW CONNECTOR		
ARTICLE	PRODUCT DESCRIPTION	Packaging Pcs
1450.2	ELBOW CONNECTOR MOUNTING PLATE	1

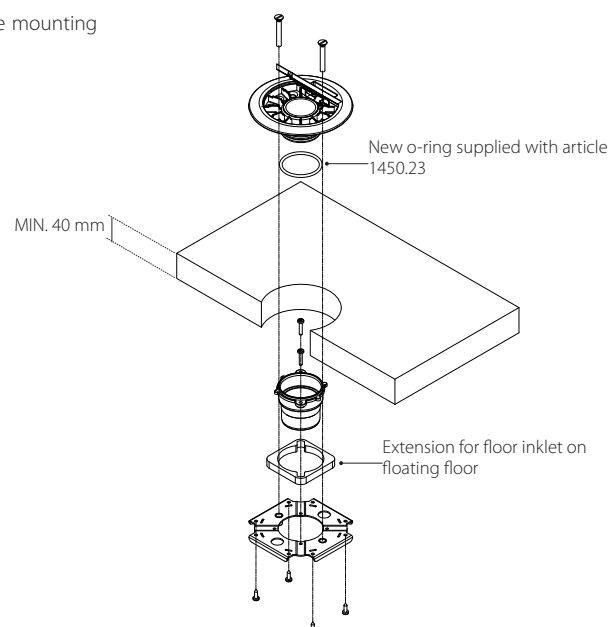
FLOOR MOUNTING PLATE STRAIGHT CONNECTOR		
ARTICLE	PRODUCT DESCRIPTION	Packaging Pcs
1450.3	STRAIGHT CONNECTOR MOUNTING PLATE	1

■ FIXING SUPPORT FOR FLOOR INLETS ON FLOATING FLOORS

Enables installation of floor inlets directly on floating floor tiles, without the mounting plate.



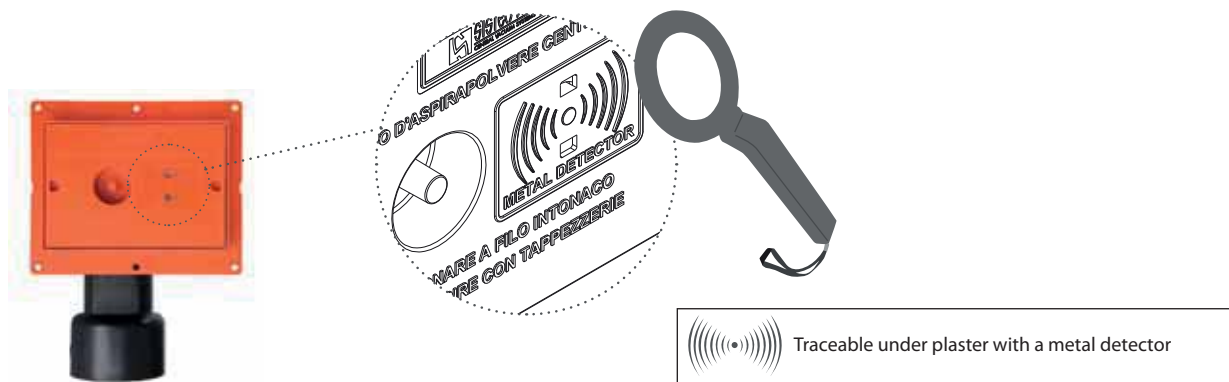
FLOOR ADAPTER		
ARTICLE	PRODUCT DESCRIPTION	Packaging Pcs
1450.23	Floating floor adapter	1



INSTALLATION OF THE MOUNTING PLATE ON THE PLASTERBOARD

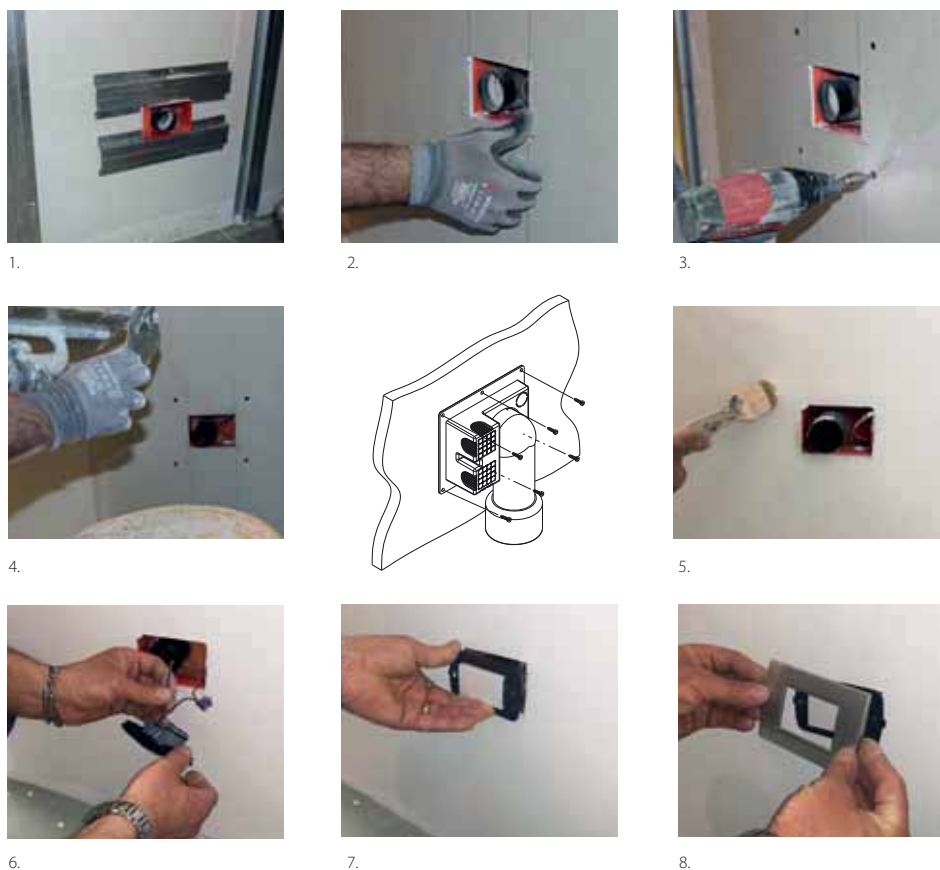
1 - Traceable under plaster by metal detector

The Sistem Air universal rectangular mounting plate can be identified even when they are covered by plaster using a common metal detector.



2 - Fixing on plasterboard walls

Thanks to the holes present on the fixing profile, the Sistem Air rectangular universal mounting plates can be fixed on the plasterboard walls following the installation steps:



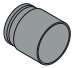
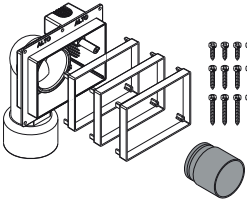
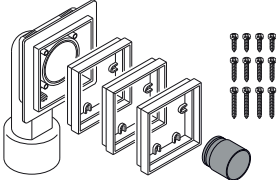

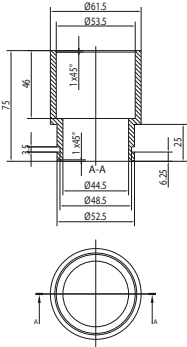
INSTALLATION MATERIAL

EXTENSION KIT FOR MOUNTING PLATE

The mounting plate extension kit represents a real innovation in the sector. Thanks to this innovation, it is possible to extend the wall box by multiples of a centimeter without size limits: the flat inlayed box ensures simple installation and a perfect grip of the vacuum inlet.

N.B. Each extension kit is fitted with 3x1 cm frames, a 3 cm inlet valve extension and a pack of screws.
Frames can be added until the required measurement has been reached.

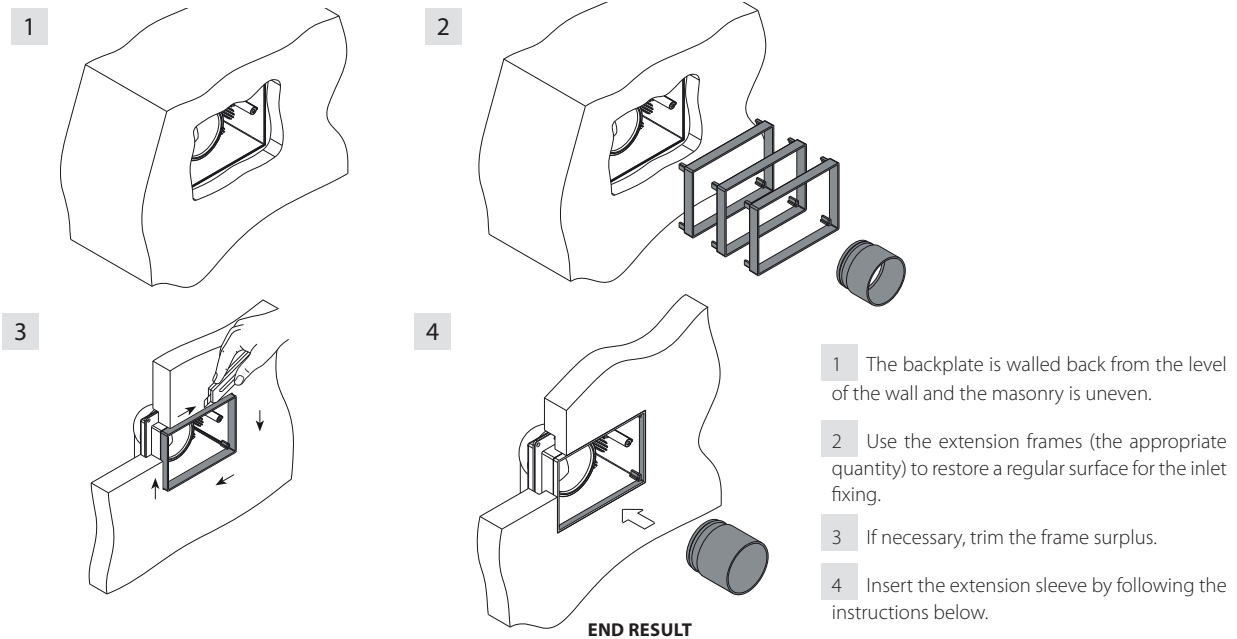


	3 CM EXTENSION		
	ARTICLE	PRODUCT DESCRIPTION	Packaging Pcs
	1457.1	Extension for domestic sector vacuum inlets	5
	3 cm extension kit		
	ARTICLE	PRODUCT DESCRIPTION	Packaging Pcs
	1450.8	Extension kit for rectangular mounting plate	10
	3 cm extension kit		
	ARTICLE	PRODUCT DESCRIPTION	Packaging Pcs
	1450.9	Extension kit for square mounting plate	10
 	Floor inlets extension		
	ARTICLE	PRODUCT DESCRIPTION	Packaging Pcs
	1457.2	Extension for floor inlets	1

INSTRUCTIONS FOR USING EXTENSION TOOLS

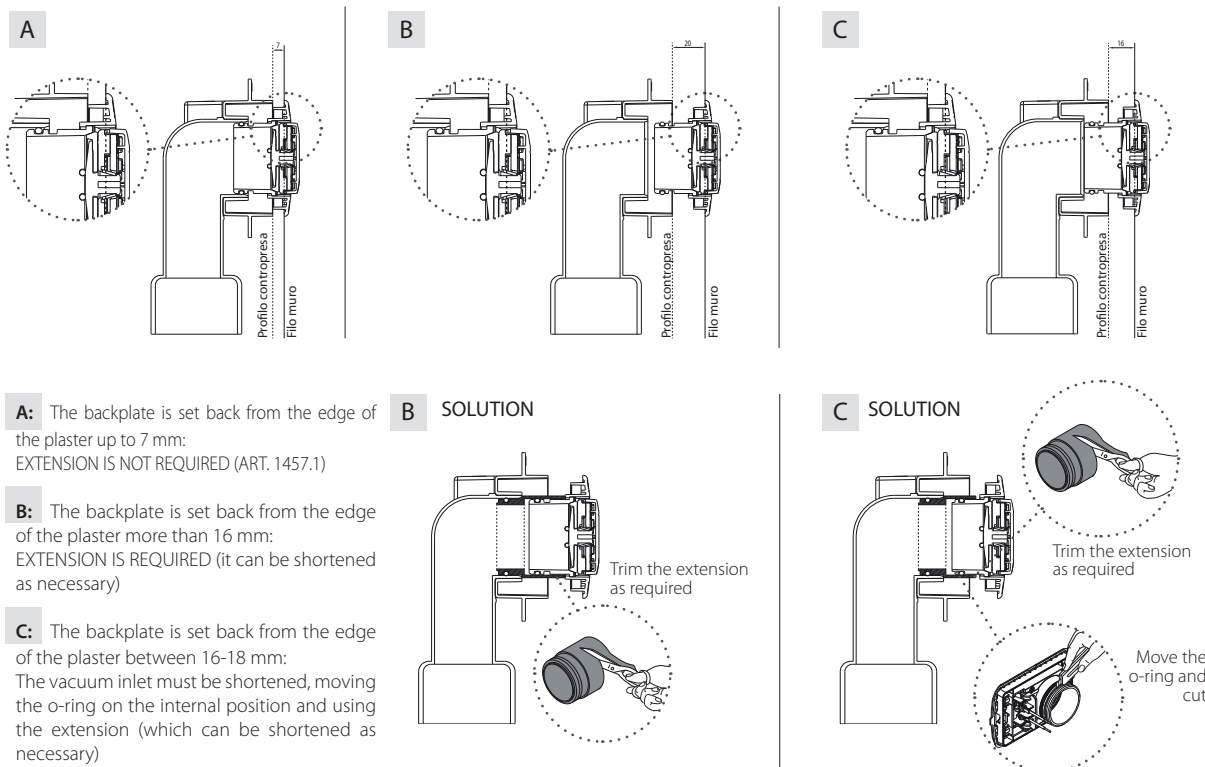
1 - art. 1450.8 Kit for extension of mounting plates (art. 1450.0 and 1450.1)

The extension kit for rectangular mounting plates allows you to correct those situations where the mounting plate is set back with respect to the plaster line. The seal is restored with the extension sleeve, while the 3 modular frames allow to restore the wall profile around the inlet, allowing it to be fixed in the correct position. The extension kits can be added together until the desired measure is obtained.



2 - art. 1457.1 Extension for all domestic vacuum inlets

The backplate extension can correct those particular situations where the backplate is set back from the edge of the plaster, but restoring the bearing surface of the vacuum inlet is not necessary (e.g. coating panels, furniture, etc.). Extensions allow the restoring of the seal, and can be combined up to the required size.



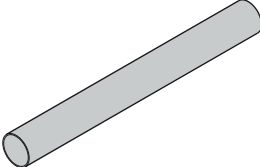
INSTALLATION MATERIAL

■ INSTALLATION MATERIAL

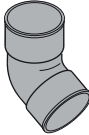
Rigid PVC pipe and connectors especially designed for central vacuum systems

In order to create a perfect fit between the pipes and connectors; only 45° connectors are provided to allow for the best airflow possible, avoiding possibility of system blockage.


NB: It is extremely important that the rigid PVC piping is cut using the appropriate tool (pipe cutter) and that the hold between the joints is guaranteed by using abundant special SISTEM-AIR glue, spreading it on the male and never on the female connector.



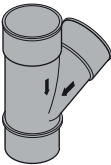
		PVC PIPE		
DIAMETER	ARTICLE	PRODUCT DESCRIPTION	Packaging m	
50 mm	1850.0	Pipe in pvc ø 50 2,2 mm thick (2 m bars)	20	
63 mm	1863.0	Pipe in pvc ø 63 3 mm thick (2 m bars)	20	
80 mm	1880.0	Pipe in pvc ø 80 3 mm thick (2 m bars)	10	
100 mm	1810.0	Pipe in pvc ø 100 3 mm thick (2 m bars)	10	



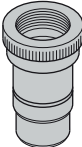
		PVC 45° ELBOWS		
DIAMETER	ARTICLE	PRODUCT DESCRIPTION	Packaging pcs	
50 mm	3050.0	PVC 45° elbow male/female Ø 50	60	
	3050.1	PVC 45° elbow female/female Ø 50	60	
63 mm	3063.0	PVC 45° elbow male/female Ø 63	30	
	3063.1	PVC 45° elbow female/female Ø 63	30	
80 mm	3080.0	PVC 45° elbow male/female Ø 80	1	
	3080.1	PVC 45° elbow female/female Ø 80	1	
100 mm	3010.0	PVC 45° elbow male/female Ø 100	1	
	3010.1	PVC 45° elbow female/female Ø 100	1	



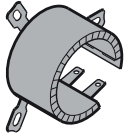
		PVC SLEEVES FOR LINEAR JUNCTIONS		
DIAMETER	ARTICLE	PRODUCT DESCRIPTION	Packaging pcs	
50 mm	1150.1	PVC sleeve with shutter Ø 50	100	
63 mm	1163.1	PVC sleeve with shutter Ø 63	40	
80 mm	1180.1	PVC sleeve with shutter Ø 80	1	
100 mm	1110.1	PVC sleeve with shutter Ø 100	1	



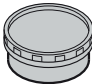
PVC 45° DERIVATION				
		ARTICLE	PRODUCT DESCRIPTION	Packaging pcs
50 mm		4050.0	PVC 45° derivation male/female Ø 50	20
		4050.1	PVC 45° derivation female/female Ø 50	20
63 mm		4063.0	PVC 45° derivation male/female Ø 63	15
		4063.1	PVC 45° derivation female/female Ø 63	15
80 mm		4080.0	PVC 45° derivation male/female Ø 80	1
		4080.1	PVC 45° derivation female/female Ø 80	1
100 mm		4010.0	PVC 45° derivation male/female Ø 100	1
		4010.1	PVC 45° derivation female/female Ø 100	1




PVC expansion joints				
		ARTICLE	PRODUCT DESCRIPTION	Packaging pcs
50 mm		5050.0	PVC expansion joint Ø 50	1
63 mm		5050.2	PVC expansion joint Ø 63	1



FIRE STOP COUPLINGS				
		ARTICLE	PRODUCT DESCRIPTION	Packaging pcs
50 mm		1150.3	Fire stop coupling Ø 50	1
63 mm		1163.2	Fire stop coupling Ø 63	1
80 mm		1180.2	Fire stop coupling Ø 80	1
100 mm		1110.2	Fire stop coupling Ø 100	1

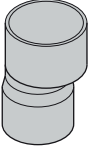


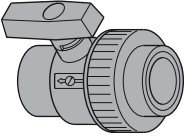
PVC PLUG FOR INSPECTION				
		ARTICLE	PRODUCT DESCRIPTION	Packaging pcs
50 mm		5050.1	PVC plug for inspection Ø 50	1
63 mm		6063.1	PVC plug for inspection Ø 63	1
80 mm		8080.1	PVC plug for inspection Ø 80	1
100 mm		1010.1	PVC plug for inspection Ø 100	1

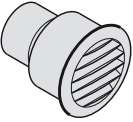


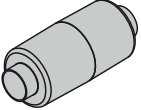
PLUG TO TEST DOMESTIC SYSTEMS				
		ARTICLE	PRODUCT DESCRIPTION	Packaging pcs
		5050.5	Plug to Test domestic systems	5

INSTALLATION MATERIAL

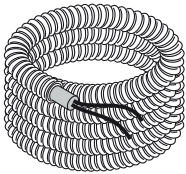
	PVC ECCENTRIC EXTENSION			
		ARTICLE	PRODUCT DESCRIPTION	Packaging pcs
	50/63 mm	6063.3	PVC eccentric extension Ø 50/63	1
	63/80 mm	8080.3	PVC eccentric extension Ø 63/80	1
80/100 mm	1010.3	PVC eccentric extension Ø 80/100	1	

	PVC ball valve for manual section			
		ARTICLE	PRODUCT DESCRIPTION	Packaging pcs
	50 mm	2050.0	PVC ball valve for manual section Ø 50	1
	63 mm	2050.1	PVC ball valve for manual section Ø 63	1
	80 mm	2050.2	PVC ball valve for manual section Ø 80	1
100 mm	2050.3	PVC ball valve for manual section Ø 100	1	

	PVC vENT GRID			
		ARTICLE	PRODUCT DESCRIPTION	Packaging pcs
	50 mm	5050.4	PVC vent grid Ø 50	1
63 mm	5063.4	PVC vent grid Ø 63	1	

	PVC AIR VENT SILENCER			
		ARTICLE	PRODUCT DESCRIPTION	Packaging pcs
	50 mm	110001	PVC universal silencer Ø 50	1
63 mm	110002	PVC universal silencer Ø 63	1	

	CSPECIAL GLUE FOR PVC			
		ARTICLE	PRODUCT DESCRIPTION	Packaging pcs
		9225.1	Special glue gr 250 with brush	5
	9225.2	Special glue gr 500 with brush	5	

	Prewired cable 2X1 mm ²			
		ARTICLE	PRODUCT DESCRIPTION	Packaging pcs
		9016.0	Prewired cable mm ² 2X1 (50 m)	1
		9016.1	Prewired cable mm ² 2X1 (100 m)	1
	9016.7	Prewired cable mm ² 2X1 (25 m)	1	

INSTALLATION MATERIAL

Ø 50 INSTALLATION KITS

The installation kit includes everything needed to set up a central vacuum system.

Installation kits can be combined in order to obtain the number of vacuum inlets required.

(Example: an installation with 8 vacuum inlets can be made adding N. 1 kit with 3 vacuum inlets + N. 1 kit with 5 vacuum inlets; or it is possible to use N. 2 kits with 4 vacuum inlets).

The material list contained in the kit can be checked in the tables below.

N.B. The installation kit is made to simplify the purchase of installation material as much as possible. For installations in buildings with standard layout, it is possible to have all the material required with the certainty of being able to complete the pipe network without further additional installation material.

Notice

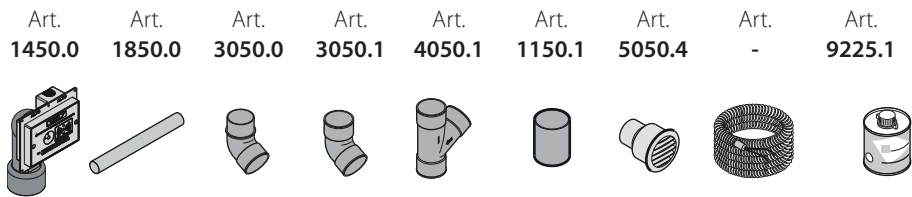
Installation kits only include the installation material because the vacuum inlets are part of the completion of the system, therefore they should be selected from the appropriate section of the catalogue.



Ø 50 INSTALLATION KITS

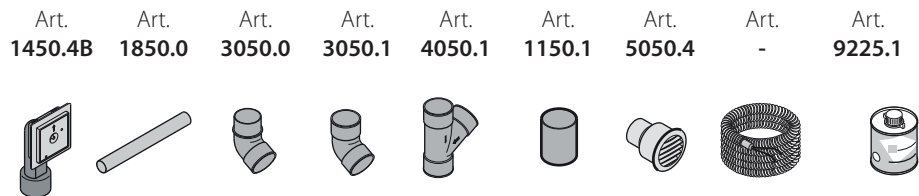


1 - Ø 50 INSTALLATION KITS with rectangular mounting plates (art. 1450.0)



Article	Vacuum inlets N.	EC Mounting plate pcs	PVC pipe m	M/F elbow pcs	F/F elbow pcs	FF Derivation cs	Sleeve pcs	Air vent pcs	Pre-wired conduit m.	Special glue pcs
7030.3	3	3	20	9	12	3	9	1	25	1
7030.4	4	4	28	12	16	4	12	1	37,5	1
7030.5	5	5	36	15	20	5	15	1	50	1

2 - Ø 50 INSTALLATION KITS with square mounting plates (art.1450.4B)



Article	Vacuum inlets N.	EC Mounting plate pcs	PVC pipe m	M/F elbow pcs	F/F elbow pcs	FF Derivation cs	Sleeve pcs	Air vent pcs	Pre-wired conduit m.	Special glue pcs
7030.3E	3	3	20	9	12	3	9	1	25	1
7030.4E	4	4	28	12	16	4	12	1	37,5	1
7030.5E	5	5	36	15	20	5	15	1	50	1



METAL INSTALLATION MATERIAL

THE SOLUTION FOR SPECIAL INSTALLATIONS

1 INDUSTRIAL DNA

suction of explosive, incandescent or abrasive materials

2 ANTISTATIC

avoid generation of sparks

3 GROUNDING

the entire piping becomes conductive

In case of central vacuum systems for special applications, Sistem Air has a complete line of pipes and connections in metal.

The use of metal fittings is necessary in the following cases:

- Vacuum of highly flammable or explosive materials, which could explode in the pipe network due to sparks generated by the accumulation of static charges formed with air passage in PVC pipes. In order to disperse these charges, a fully conductive earth pipeline connection must be made, thanks to special jointing sleeves which allow the electrical conductivity;
- vacuum of incandescent materials, which could puncture the plastic pipes once they have been vacuumed;
- vacuum of abrasive materials, capable of eroding the plastic pipes, especially in curves;
- Exposed pipework, where there is the need to avoid that the outer walls of the pipe deposit environmental dust attracted by the static charges present.

All zinc coated steel pipes are available **Ø 50,60 and 80 mm.**

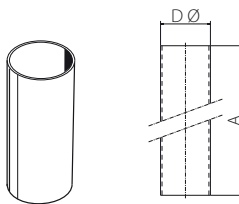


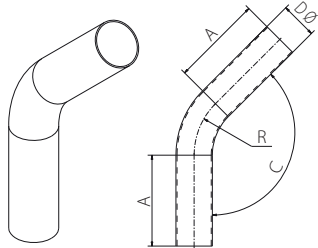
The coupling sleeves of the metal fittings have a conductive tab, which once the screws of the sleeve have been tightened, ensures continuity along the pipe.

METAL INSTALLATION MATERIAL

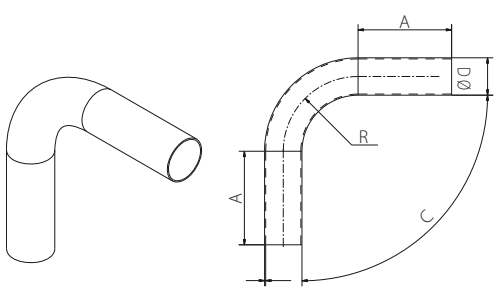
2 - Zinc-coated installation material

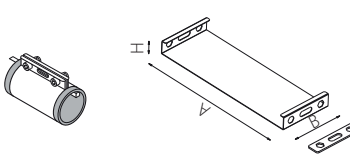
Rigid steel pipes and connections, built to guarantee endurance and electric transmission in all the contexts where these characteristics are essential for correct installation.

		STEEL PIPES				
		ARTICLE	PRODUCT DESCRIPTION	A	D	Weight Kg/m
1850.0F	Steel pipe Ø 50 (2 m bars)	2000	Ø 50	1,8	2	
1863.0F	Steel pipe Ø 60 (2 m bars)	2000	Ø 60	2,175	2	
1880.0F	Steel pipe Ø 80 (2 m bars)	2000	Ø 80	2,9	2	
1810.0F	Steel pipe Ø 100 (2 m bars)	2000	Ø 101,6	3,7	2	

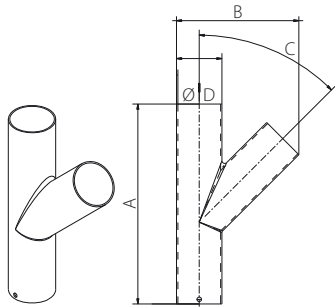
		45° STEEL ELBOWS					
		ARTICLE	PRODUCT DESCRIPTION	A	R	C	D
3050.1F	Steel elbow 45° M/M Ø 50	125	100	135°	Ø 50	590	1
3063.1F	Steel elbow 45° M/M Ø 60	125	150	135°	Ø 60	800	1
3080.1F	Steel elbow 45° M/M Ø 80	160	110	135°	Ø 80	1180	1
3010.1F	*Steel elbow 45° M/M Ø 100	188	130	135°	Ø 100	2355	1

*tolerance 5 mm

		90° STEEL ELBOWS					
		ARTICLE	PRODUCT DESCRIPTION	A	R	C	D
3050.0F	Steel elbow 90° M/M Ø 50	125	100	90°	Ø 50	730	1
3063.0F	Steel elbow 90° M/M Ø 60	125	150	90°	Ø 60	1050	1
3080.0F	Steel elbow 90° M/M Ø 80	150	110	90°	Ø 80	1375	1
3010.0F	Steel elbow 90° M/M Ø 100	189	130	90°	Ø 101,6	2865	1

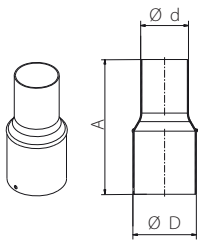
		JUNCTION GROUPS			
		ARTICLE	PRODUCT DESCRIPTION	A	B
1150.1F	Steel junction groups Ø 50	171	60	14	5
1163.1F	Steel junction groups Ø 60	203,5	60	14	5
1180.1F	Steel junction groups Ø 80	272	60	14	5
1110.1F	Steel junction groups Ø 100	341	60	14	1

INSTALLATION MATERIAL



45° STEEL DERIVATIONS

ARTICLE	PRODUCT	Measures A	Measures B	Measures C	Measures D	Weight kg	Packaging Pcs
4050.0F	45° steel derivations M/M/M Ø 50	220	140	45°	Ø 50	0,56	1
4063.0F	45° steel derivations M/M/M Ø 60	250	160	45°	Ø 60	0,76	1
4080.0F	45° steel derivations M/M/M Ø 80	320	190	45°	Ø 80	1,225	1
4010.0F	45° steel derivations M/M/M Ø 100	400	245	45°	Ø 100	2,610	1



STEEL EXTENSIONS

ARTICLE	PRODUCT	Measures A	Measures D	Measures d	Weight kg	Packaging Pcs
6050.0F	Steel extensions Ø 50 / Ø 60	120	Ø 60	Ø 50	0,25	1
8060.0F	Steel extensions Ø 60 / Ø 80	170	Ø 80	Ø 60,3	0,45	1
1080.0F	Steel extensions Ø 80 / Ø 100	200	Ø 100	Ø 80	0,83	1



Fixing collars

ARTICLE	PRODUCT	Packaging Pcs
1401.50	Collar Ø 50 mm	10
1401.60	Collar Ø 60 mm	10
1401.80	Collar Ø 80 mm	5
1401.100	Collar Ø 100 mm	5

ANTISTATIC CLEANING ACCESSORIES

In case of vacuum of materials likely to create an accumulation of static charges, also along the flexible hoses, Sistem Air has a specific hose able to disperse them through a special vacuum inlet with an earth connection. All the flexible components for antistatic cleaning are made of conductive material, in order to allow the passage of static electricity.





Factory with installation and antistatic accessories

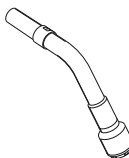


Antistatic vacuum inlet with ground connection


ANTISTATIC CLEANING ACCESSORIES Ø 32


	ANTISTATIC FLEXIBLE HOSE Ø 32		
	ARTICLE	PRODUCT DESCRIPTION	Packaging m
	7037.30A	Antistatic flexible hose Ø 32 (m 30)	30

	ANTISTATIC INLET CONNECTOR Ø 32		
	ARTICLE	PRODUCT DESCRIPTION	Packaging Pcs
	7038.0A	Antistatic inlet connector Ø 32	1

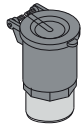
	ANTISTATIC CHROMIUM PLATED HANDGRIP Ø 32		
	ARTICLE	PRODUCT DESCRIPTION	Packaging Pcs
	7039.0A	Antistatic chromium plated handgrip Ø 32	1

ANTISTATIC CLEANING ACCESSORIES Ø 40

	ANTISTATIC FLEXIBLE HOSE Ø 40		
	ARTICLE	PRODUCT DESCRIPTION	Packaging m
	7037.40A	Antistatic flexible hose Ø 40 (m 30)	10

	ANTISTATIC INLET CONNECTOR Ø 40		
	ARTICLE	PRODUCT DESCRIPTION	Packaging Pcs
	7038.1A	Antistatic inlet connector Ø 40	1

UNIVERSAL ANTISTATIC INDUSTRIAL INLETS Ø 32/40

	ANTISTATIC INDUSTRIAL VACUUM INLET		
	ARTICLE	PRODUCT DESCRIPTION	Packaging Pcs
	1556.0A	Antistatic industrial vacuum inlet w/micro Ø 32/40	1

	ANTISTATIC INDUSTRIAL VACUUM INLET W/MICRO ATEX		
	ARTICLE	PRODUCT DESCRIPTION	Packaging Pcs
	1556.0AX	Antistatic industrial vacuum inlet w/micro ATEX Ø 32/40	1



this product can be installed in ATEX zone 22 (Area in which, during normal activities, the formation of an explosive atmosphere in the form of a cloud of combustible dust is not likely and, if it occurs, it is only of short duration)

INSTALLATION MATERIAL

■ INSTALLATION MATERIAL TECHNICAL FEATURES

PVC PIPING

Ø 40/50x2.2 mm, Ø 63x3 mm, Ø 80 x3 mm, Ø 100x3 mm.

PVC piping (non plastic polyvinyl chloride, PVC-U) for air vacuum.

Self-extinguishing piping, cat. 1 according to material classification in the D.M.26.06.1984 (Ministerial Degree) based on ISO 1182, UNI 8457 test methods.

Grey colour.

Compliance with legislation:

Ø 50 pipes – Specification based on ex UNI 7443:1985 + F.A. 178:1987

P.I.I.P. certification issued by the Italian Institute of Plastics.

Ø 63-80-100 pipes - UNI EN 1329:2000

P.I.I.P. certification issued by the Italian Institute of Plastics.

Applied compliance label: Pip/c 261.

The Sistem Air rigid pipe with circular section is for use on centralised vacuum systems and for discharge that is not under pressure or compressed ventilation.

Suitable for glued joints.

PVC CONNECTORS

PVC connectors for air vacuum.

The connectors have a calibrated coupling diameter to obtain the best coupling with the pipes.

Available in numerous forms and connections, in Ø 50, Ø 63, Ø 80, Ø100 diameters as well as the numerous accessories.

Colour: grey.

Self-extinguishing.

Fire resistance level: behavioural category according to RSN-M1 legislation

(superior standard quality in the field of plastic fire resistance).

STEEL PIPES AND FITTINGS

Steel PIPES welded with HF method (high frequency induction welding), produced according to EN 10305-3 / 5 standard

Ø 50 mm thickness 1.50

Ø 60 mm thickness 1.50

Ø 80 mm thickness 1.50

Ø 101.6 mm thickness 2.00

Sleeves: AISI 304 F.2B steel (thickness 1.5 mm) according to EN 10088-2: 2014 1.4301 standard

ANTISTATIC INLET WITH ATEX MICRO / SWITCH

EN 61058-1 250VAC / 6A 50'000 cycles

EN 61058-1 400VAC / 6A 50'000 cycles

UL 61058-1 250VAC / 6A 50'000 cycles

UL 61058-1 400VAC / 6A 50'000 cycles

CSA C22.2 250VAC / 6A 6'000 cycles *

ATEX 113d / Ex t IIIB 84 ° C Dc 250VAC / 6 °

INSTALLATION MATERIAL TECHNICAL FEATURES

PRE-WIRED CONDUIT

Pre-wired, protective, folding insulating conduit.

Grey colour, Ø 16 mm.

CE, IMQ labelling.

IMQ certification.

Complies with the following regulations:

-EN 50086-1:1993

-EN 50086-2-2:1995 +A11:1998

Products conform to the essential requirements found in the B.T.73/23/CEE directive and subsequent changes.

Pipe with C1 base classification. 3422, corrugated, DOES NOT propagate flames.

Further C1 classification. 32-0-010.

Product halogen-free in accordance with:

IEC EN 50267-2-1:1999 and IEC EN 50267-2-2:1999.

This kind of conduit is suitable for all those places requiring non-toxic characteristics and non emission of fumes or toxic gases.

Reference document:

IEC EN 50267-1:1999 - Cat. IEC 20-37/2-0- F. 5325

IEC EN 50267-2-1:1999-Cat. IEC 20-37/2-1- F. 5326

The same as IEC 60754-1

IEC EN 50267-2-2:1999-Cat. IEC 20-37/2-2- F. 5327

The same as IEC 60754-2.

Suitable in cases where particular mechanical resistance is needed.

Crush resistance (pipe): Cat. 3 average (greater than 750 N on 5 cm at +20°C)

Impact resistance (pipe): Cat. 3 average (2 joules at -5°C)

Minimum working temperature (pipe): Cat. 2 (-5°C)

Maximum working temperature (pipe): Cat. 1 (+60°C)

For the cables:

The conduction wires are IMQ certified, red colour and No7VK type, do not propagate fire, with 1 mm² section.

Legislation:

IEC 20-20, 20-22, 20-37

IEC-UNEL 35752

CENELEC H D 21

FIRE FIGHTING COUPLINGS

To be applied everywhere that fire prevention legislation is in effect.

Fire resistance cat.: REI 180 certified (180 min).

The fire fighting couplings are used to seal the crossings of engineering resin pipes (PVC, PE, PP) in fire prevention compartments.

At a temperature of approx. 150°C, the internal intumescent material starts expanding thus increasing its own volume by about 10 times, developing a considerable pressure, enough to activate the fire resistance closure system that keeps in burning gases.

Read the safety instructions before use.

To use them, the fire stop couplings must be used in compliance with fire resistance certificates both in number and orientation as well as fixing system.

GLUE

Certified PVC based glue dissolved in solvent.

Basic ingredients: PVC resins.

Special ingredients: organic solvents.

Solder the glued junction.

Gluing is equally resistant to chemical agents and has the same mechanical properties as hard PVC.

Its controlled viscosity means it can easily be applied without gluing.

Ideal for longitudinal junctions on hard PVC pipes and the assembling of PVC pipes and connectors.

Sistem Air accessories are characterised by high quality construction, giving excellent functionality and extended wear resistance. The wide range of accessories can meet every cleaning requirement.

KITS AND ACCESSORIES

FLISY 2	59
SYSTEM TECH FLISY 2	63
CLEANING ACCESSORIES NATURAL TRENDY	66
COMPLETE CLEANING KITS NATURAL TRENDY	68
SINGLE ACCESSORY KIT	70
SPECIAL CLEANING SEPARATORS	74
HOSE REEL ROLL FLEX	76



FLISY 2: REVOLUTIONARY ON-OFF

The Flisy 2 wireless ON / OFF pipe can be used in all central vacuum systems. It is compatible with both domestic and industrial use (in the case of use by multiple operators it is not advisable to leave the pipe inserted in the inlet when not in use).

INTEGRATED
compact design
ultra-thin

INFINITE
always works, even with a
discharged battery

ULTRALIGHT
compared to the previous
generation

FLISY AN ALWAYS UP TO DATE SYSTEM

Flisy has been refreshed, but maintains the points that have made it the benchmark in the sector:



- **COMFORTABLE:** allows suction start and stop using a button integrated in the handle.
- **RELIABLE:** tested to always guarantee correct operation. Lifetime warranty on electronic components.



- **LIGHT:** weight reduced by about 40% compared to an electrified pipe.



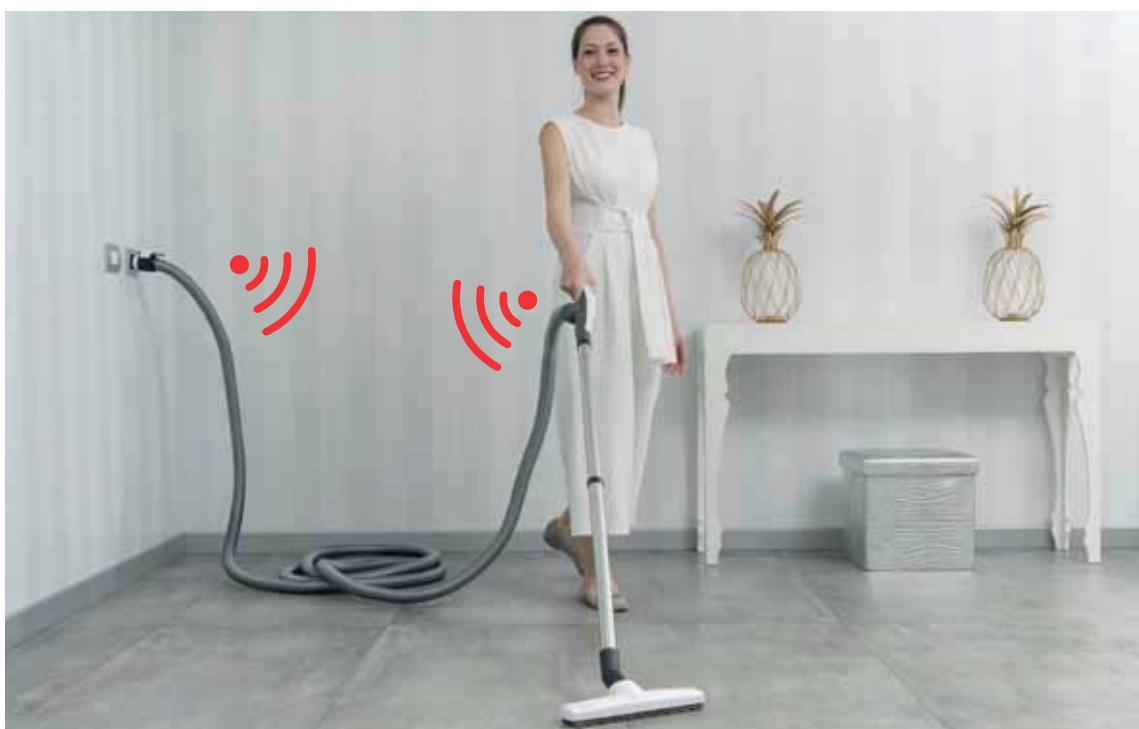
- **RESISTANT:** greater flexibility and sturdiness.



- **UNIVERSAL:** compatible with the main vacuum inlets on the market.



- **INTELLIGENT:** the electronic technology used avoids accidental operation of the system.
- **ERGONOMIC:** the handle is designed to offer greater lightness while maneuvering the pipe.
- **EASY TO HANDLE:** both the handle and the inlet connection rotate 360°, ensuring maximum freedom during use.



ACCESSORY CLEANING KIT FLISY 2

WE HAVE IMPROVED THE BEST

On an aesthetic level, Flisy 2 differs from the first generation in a few details: a new receiver design and the absence of graphics on the handle. **But the substantial differences are internal, where work has gone into improving functionality, operation and robustness. The result is an even more effective and reliable system.**



1 - New receiver

The receiver board has been miniaturized to make the board holder support less aesthetically evident and at the same time, reduce the possibility of impact while handling the pipe. These changes have not increased fragility. On the contrary, they allow **greater strength**.

2 - No more batteries to replace

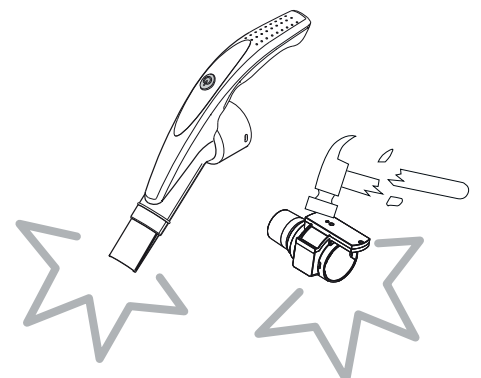
A slim, light **rechargeable battery** has been mounted on the Flisy receiver, which eliminates the periodical need to replace exhausted batteries and makes the device lighter. For charging, the simplest and most widespread standard was chosen, in order not to represent a constraint for anyone: **any power supply with a USB output**, to which the charging cable supplied with Flisy 2 can be connected is enough.



Charging cable supplied

3 - Impact resistance

New internal ribs have been introduced to **strengthen the plastics**, while support brackets for the electronic component batteries have been added, integrating them with their mounting boards, so that they can no longer be unseated due to knocks during use.



4 - Universal use

In new Flisy 2 is designed to **work with any central vacuum system** where the micro-switch line connecting the suction inlets is provided. This applies to all installations in the world, without problems with the power supply to the control unit or voltage present on the microswitch line. So everyone can experience the benefits of Flisy 2.



5 - Always works

Flisy 2 is designed to guarantee the **start-up of the system in any condition**: even when the battery is discharged (perhaps because recharging was forgotten) or when the electronics are damaged. In fact, the electronic circuit inside the receiver is a normally closed type: when the pipe is inserted into the inlet, it causes the central unit to start up regardless, while its removal from the inlet causes the system to stop. To simplify: in case of failure / low batteries Flisy 2 behaves like a traditional pipe with metal fitting: it will not have the ON / OFF functionality from the handle, but will equally allow the use of the central vacuum cleaner.



DISTINCTIVE PRODUCT DETAILS

1 - Ultralight

- Maximum user comfort thanks to the grip and the inlet connection, which rotates 360°
- Maximum lightness of the pipe due to the absence of the conductor wire



Flisy tube 2
Wireless 7m
1.680 g



Traditional 7m
electrified pipe
2.985 g

2 - Lifetime reliability warranty

The Flisy 2 system combines the best electronic components on the market with precision assembly, to arrive at an impeccable product both in construction and in operation: quality that is verified by giving a **lifetime guarantee** on electronic parts.



The technology contained in the Flisy system represents an exclusive innovation at a global level.

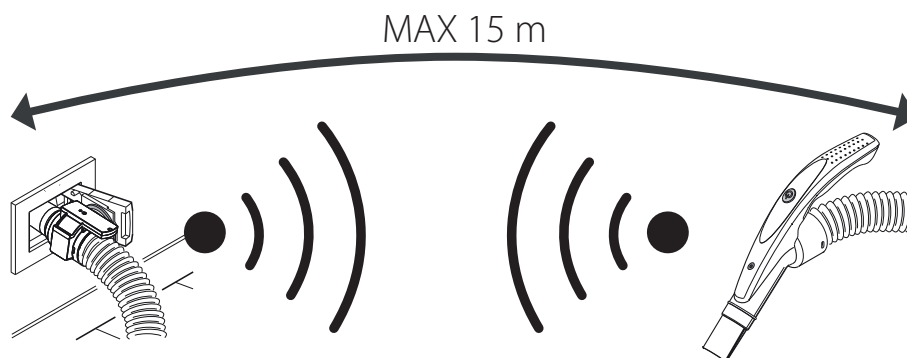
PATENTS IT 1394092
PATENTS IT 270966

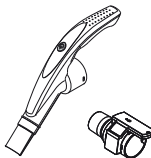
The patents obtained are the confirmation of the exceptional value of this product.

ACCESSORY CLEANING KIT FLISY 2

3 - Reception guaranteed in all conditions

The distance between the transmitter and the receiver is limited to the length of the flexible pipe on which they are mounted. In this way the signal, which has a higher coverage is always received, allowing suction start and stop every time.



	Flisy2 wireless handgrip and inlet connection Ø 32			
	For the conversion of a standard pipe into an ON-OFF pipe			
	Article	Color	Material	Packing Pcs
7039.10W	-	Plastic	1	





SYSTEM TECH FLISY



System Tech Flisy represents the latest evolution of the wireless ON / OFF pipe concept, able to combine the convenience of the switch on the handle, the lightness of the pipe and the practicality of producing the pipe.



FIELD OF USE

The System Tech Flisy wireless ON / OFF system can be used in all central vacuum systems. For correct operation, the receiver board must be connected to the inlets and to the mains power supply. It is compatible with both domestic and industrial power installation use (although in the case of use by multiple operators it is not advisable to leave the pipe inserted in the inlet when not in use).

FLISY SYSTEM TECH ON-OFF SYSTEM

The system consists of a handle with integrated transmitter and a receiver board connected to one or more vacuum inlets. Where the surface area of the residence requires presence of several receiving boards for cover, the system allows use of a **single handle for all the boards**, making System Tech Flisy easy to use.

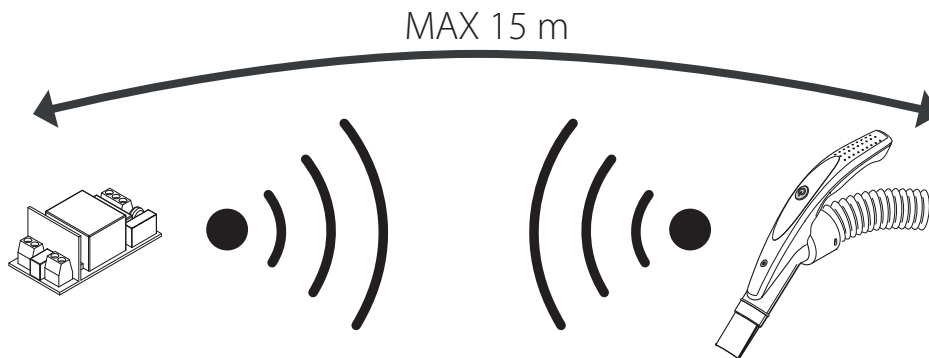
	System Tech Flisy on-off system			
	Flisy handle and receiver board			
	Article	Color	Material	Packing Pcs
	7039.4W	White / Gray	Plastic	1

	Sistem Tech Flisy receiver module			
	Flisy receiver board			
	Article	Color	Material	Packing Pcs
	3301.12	-	-	1

DISTINCTIVE PRODUCT DETAILS

1 - Wide coverage range

The signal emitted by the transmitter gives approximately 15m radius cover inside the house. To have the best possible reception, locate the receiver board where there are no elements capable of shielding the signal and any disturbances are reduced to a minimum.



Where signal coverage permits, it is possible to use a single receiver to serve multiple floors, otherwise multiple receiver boards are installed.

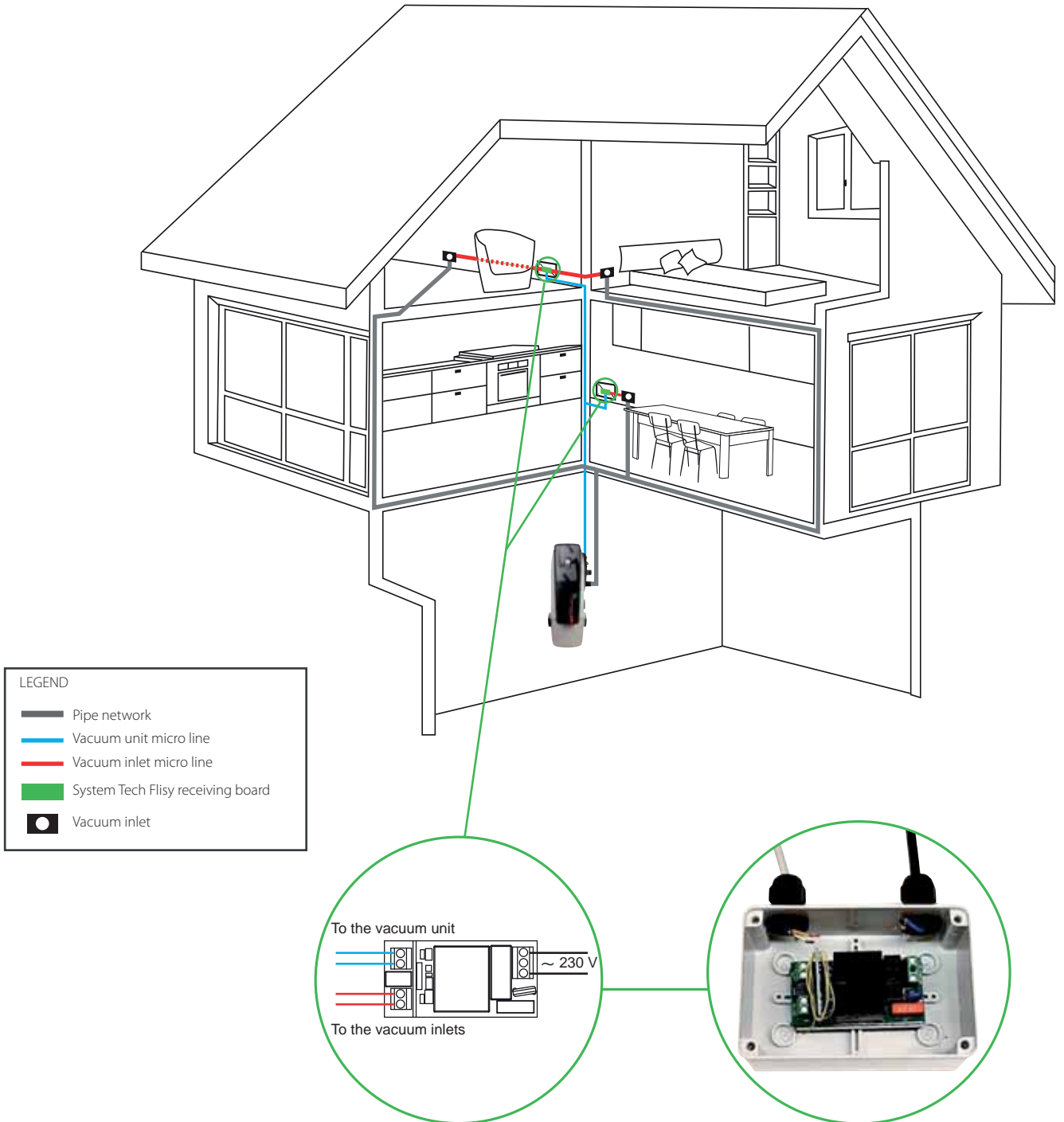
A single handle is capable of communicating with multiple receiving boards.

ACCESSORY CLEANING KIT

A NEW WAY TO DESIGN A SYSTEM

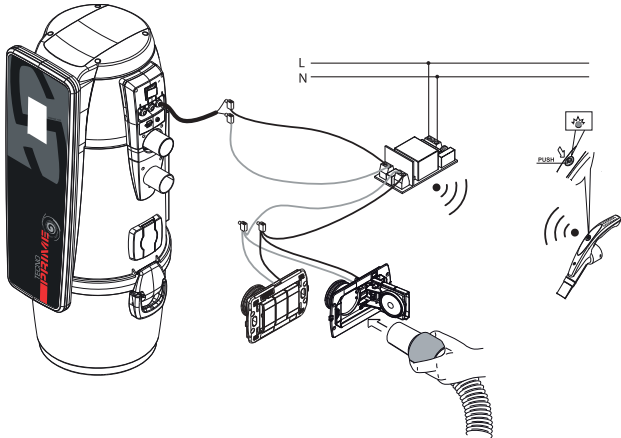
With System Tech Flisy it is possible to install the system by innovating the electric remote connection to vacuum unit. The total installation is divided into **different areas where the reception of the module is guaranteed**: the vacuum inlets in this area are connected to the receiving module so as to activate vacuum. With the same handle it is possible to manage the vacuum of different areas, and the activation of the receiver in a specific area won't interfere with receivers in other areas.

1 - System Tech Flisy electric connection

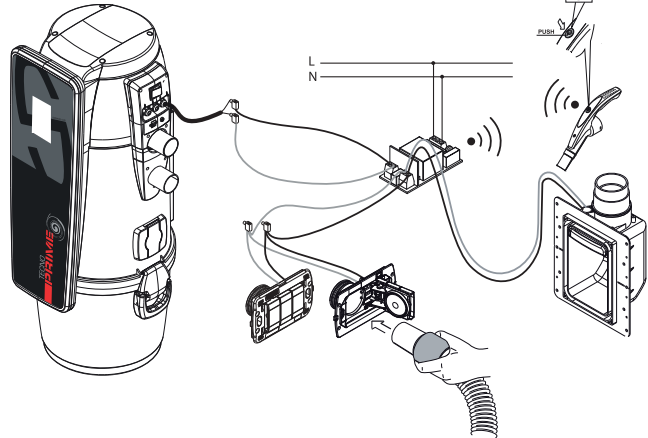


The receiving card can be fixed in an electrical box, which can be hidden or, if there are no particular aesthetic needs, it can be fixed in a point that allows maximum signal reception.

2 - Use with traditional flexible hose or with retractable hose



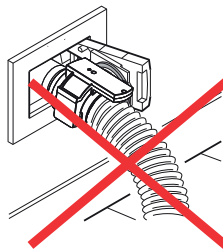
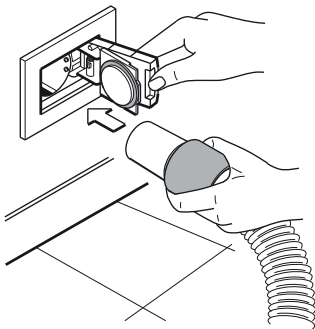
Electric connection with standard vacuum inlets



Electric connection in a mixed installation with traditional vacuum inlets and with retractable hose vacuum inlets.

3 - Greater ease of use

By removing the receiver module in the inlet connector, the system becomes more robust, avoiding malfunctions due to accidental knocks of the electronic board previously present on this connector.



System Tech Flisy allows you to have all the advantages of the Flisy wireless ON / OFF control without the limit of the receiver integrated in the inlet connector. In this way the hose will be more manageable but, above all, it becomes possible to create systems with the receiver installed remotely, with the advantage of being able to install the Sistem Air control units even on predispositions without a microswitch line.



ACCESSORY CLEANING KIT

NATURAL TRENDY



NATURAL

natural bristles for surface care

1

ERGONOMIC

designed to give maximum comfort

2

COMFORTABLE

they simplify cleaning and make it less tiresome

3

Sistem Air Natural brushes satisfy every cleaning need. Equipped with natural bristles, articulated joints, ergonomic shapes and white in color. They are also equipped with rubber bumpers to protect the furniture.



Perfect grip on curved surfaces



Reduced thickness, for maximum ease of use



Dust gently without leaving scratches



Effective but gentle on hard surfaces and carpets



NEW NATURAL BRISTLES:
delicate on every surface

NATURAL TRENDY BRUSHES

The Natural Trendy range is designed to make the use of the central vacuum system even more advantageous: these are brushes made using quality materials, with movements that simplify daily use, make cleaning faster and allow you to safeguard objects and the surfaces with which they come into contact.



DOUBLE USE BRUSH

Natural double floor-carpet brush



PARQUET BRUSH

Natural parquet brush



FLOOR BRUSH

30 cm Natural Floor brush



MATTRESS BRUSH

Natural mattress brush and upholstery



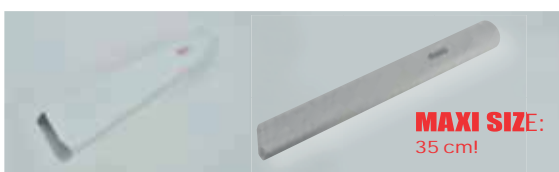
CLOTHES BRUSH

Natural brush with bristles



RADIATOR BRUSH

Natural radiator brush



NOZZLE FOR CORNERS

Natural Nozzle for corners



DUSTING BRUSH

Dusting brush with bristles Natural

ACCESSORY CLEANING KIT **Natural Trendy** complete kits

COMPLETE ON/OFF ACCESSORY KITS



Cleaning kits Ø 32 mm for RECTANGULAR or SQUARE mounting plates

Flisy2 accessory kits are totally new thanks to Flisy2 hose: a light and flexible hose, without internal wiring, but with the convenience of the wireless system, allowing system operation directly on the hand grip.

Flisy2 kits are available in 6 different combinations, with 7 m or 9 m hoses and with a wide range of accessories, for every kind of need.

They are supplied in an elegant customised package.

Natural Basic cleaning kits Flisy

ARTICLE	NATURAL BASIC cleaning accessory kit	Flexible 7 m	
7530.7W			
ARTICLE	NATURAL BASIC cleaning accessory kit	Flexible 9 m	
7530.9W			
	Article	Description	Qty
	7041.1	Accessory holder (4 pieces).	1
	-	7/9 m flexible hose	1
	7039.10W	Flisy handle and inlet connection	1
	7040.0	Pair of chrome pipes	1
	7747.1	30 cm floor brush Natural	1
	7743.0	Dusting brush Natural	1
	7745.0	Crevice tool Natural	1

Kit wireless Natural



ON-OFF starting



Natural Smart cleaning kits Flisy

ARTICLE	NATURAL SMART cleaning accessory kit	Flexible 7 m	
7532.7W			
ARTICLE	NATURAL SMART cleaning accessory kit	Flexible 9 m	
7532.9W			
	Article	Description	Qty
	7041.0	Accessory holder (10 pieces)	1
	-	7/9 m flexible hose	1
	7039.10W	Flisy handle and inlet connection	1
	7040.0	Pair of chrome pipes	1
	7743.0	Dusting brush Natural	1
	7736.0	Natural double floor-carpet brush	1
	7745.0	Crevice tool Natural	1
	7742.0	Clothes brush Natural	1
	7744.0	Mattress – upholstery brush Natural	1
	7040.5	STOP-objects accessory	1

Natural Deluxe cleaning kits Flisy









ARTICLE	NATURAL DELUXE cleaning kits Flisy	Flexible 9 m	
7531.9W			
	Article	Description	Qty
	7041.0	Accessory holder (10 pieces)	1
	-	9 m Flexible hose	1
	7037.4	Sock for flexible hose (10 m)	1
	7039.10W	Flisy handle and inlet connection	1
	7040.1	Chromed telescopic extension	1
	7747.1	30 cm floor brush cm 30 Natural	1
	7736.0	Natural double floor-carpet brush	1
	7743.0	Dusting brush Natural	1
	7746.0	Radiator brush Natural	1
	7742.0	Clothes brush Natural	1
	7744.0	Mattress – upholstery brush Natural	1
	7745.0	Crevice tool Natural	1

COMPLETE ACCESSORY KITS












Cleaning kits Ø 32 mm for RECTANGULAR or SQUARE mounting plates

Sistem Air cleaning accessory kits contain all the brushes required to clean in an easy, precise way.

Natural Basic cleaning kits

ARTICLE	Kit accessori pulizia mod. NATURAL BASIC	7 m flexible	
ARTICLE	Kit accessori pulizia mod. NATURAL BASIC	9 m flexible	
	Article	Description	Qty
	7041.1	Accessory holder (4 pieces)..	1
	-	7/9 m flexible hose	1
	7038.0M	Metal ring connection	1
	7039.1	Plastic handle	1
	7040.0	Pair of chrome pipes	1
	7743.0	Dusting brush Natural	1
	7747.1	30 cm floor brush Natural	1
	7745.0	Crevice tool Natural	1













Natural Smart cleaning kits

ARTICLE	NATURAL SMART cleaning kits	Flexible 7 m	
ARTICLE	NATURAL SMART cleaning kits	Flexible 9 m	
	Article	Description	Qty
	7041.0	Accessory holder (10 pieces).	1
	-	7/9 m flexible hose	1
	7038.0M	Metal ring connection	1
	7039.1	Plastic handle	1
	7040.0	Pair of chrome pipes	1
	7743.0	Dusting brush Natural	1
	7736.0	Natural double floor-carpet brush	1
	7742.0	Clothes brush Natural	1
	7744.0	Mattress – upholstery brush Natural	1
	7745.0	Crevice tool Natural	1
	7040.5	STOP-objects accessory	1



Traditional system: the suction starts when the hose with the metal connector is inserted in the inlet

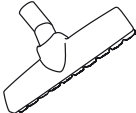
Natural Deluxe cleaning kits


ARTICLE	NATURAL DELUXE cleaning kits	Flexible 9 m	
	Article	Description	Qty
	7041.0	Accessory holder (10 pieces).	1
	-	9 m flexible hose	1
	7038.0M	Metal ring connection	1
	7037.4	Sock for flexible hose (10 m)	1
	7039.0	Chrome handle	1
	7040.1	Chromed telescopic extension	1
	7747.1	30 cm floor brush cm 30 Natural	1
	7736.0	Natural double floor-carpet brush	1
	7743.0	Dusting brush Natural	1
	7746.0	Radiator brush Natural	1
	7742.0	Clothes brush Natural	1
	7744.0	Mattress – upholstery brush Natural	1
	7745.0	Crevice tool Natural	1

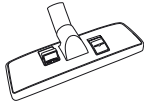
ACCESSORY CLEANING KIT


CLEANING ACCESSORIES Ø 32

Sistem Air accessories are supplied with single package. They can be used in domestic and professional applications.

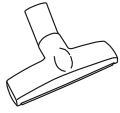
30 CM Natural FLOOR BRUSH				
	Natural Floor brush			
	Article	Color	Material	Package Pcs
	7747.1	white	Plastic	1


Natural BRUSH WITH BRISTLES				
	Brush with long natural bristles for cleaning clothes			
	Article	Color	Material	Package Pcs
	7742.0	white	Plastic	1

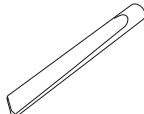
Natural DOUBLE FLOOR-CARPET BRUSH				
	Natural double floor-carpet brush			
	Article	Color	Material	Package Pcs
	7736.0	white	Plastic	1

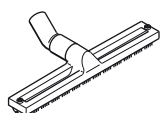
DUSTING BRUSH WITH BRISTLES Natural				
	Dusting brush with bristles			
	Article	Color	Material	Package Pcs
	7743.0	white	Plastic	1


Natural PARQUET BRUSH				
	Brush without bristles, with joint and cleaning surface in polishing felt			
	Article	Color	Material	Package Pcs
	7735.0	white	Plastic	1

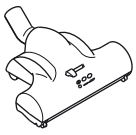
Natural MATTRESS BRUSH AND UPHOLSTERY				
	Mattress brush and upholstery			
	Article	Color	Material	Package Pcs
	7744.0	white	Plastic	1

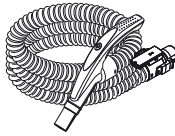
Natural RADIATOR BRUSH				
	To be used together with art. 7045.0			
	Article	Color	Material	Package Pcs
	7746.0	white	Plastic	1


Natural NOZZLE FOR CORNERS				
	Thin nozzle for vacuuming in hard-to-reach places			
	Article	Color	Material	Package Pcs
	7745.0	white	Plastic	1


FLOOR BRUSH 37 cm				
	Universal brush, for every kind of surface			
	Article	Color	Material	Package Pcs
	7047.0	Black	Plastic	1

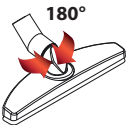
TURBO BRUSH FOR UPHOLSTERY				
	Brush with comb and rotating bristles			
	Article	Color	Material	Package Pcs
	7033.3	Black	Plastic	1

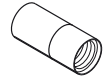
	TURBO BRUSH FOR RUGS AND CARPETS			
	Floor brush with rotating bristles			
	Article	Color	Material	Package Pcs
7034.0	Black	Plastic	1	

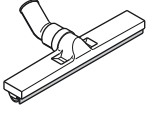
	WIRELESS FLEXIBLE HOSE FLISY 2 9 M			
	ON/OFF pipe with wireless button			
	Article	Color	Material	Package Pcs
7037.9W	Silver	Plastic	1	


	BRUSH FOR WOOD BEAMS AND PIPES			
	Curve brush with bristles			
	Article	Color	Material	Package Pcs
7033.2	Black	Plastic	1	

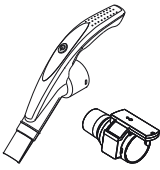
	METAL RING CONNECTION Ø 32			
	With metal ring for system starting			
	Article	Color	Material	Package Pcs
7038.0M	Black	Plastic	1	


	FLOOR BRUSH WITH 180° ROTATION			
	Brush with bristles in natural fibre			
	Article	Color	Material	Package Pcs
7047.9	Black	Plastic	1	

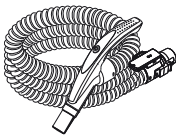
	EXTENSION PIPE CONNECTOR Ø 32			
	For connection to art. 7038.0M to connect two			
	Article	Color	Material	Package Pcs
7048.0	Black	Plastic	1	


	LIQUID BRUSH WITH RUBBER CM 30			
	Floor brush without bristles and rubber			
	Article	Color	Material	Package Pcs
7033.1	Black	Plastic	1	

	FLEXIBLE HOSE Ø 32, 7 M			
	Flexible hose bundle without connections			
	Article	Color	Material	Package Pcs
7037.7	Silver	Plastic	1	

	FLISY HANDLE AND INLET CONNECTOR			
	For the transformation of a standard HOSE into an ON-OFF tube			
	Article	Color	Material	Package Pcs
7039.10W	-	Plastic	1	

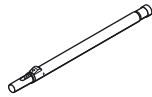
	FLEXIBLE HOSE Ø 32, 9 M			
	Bundle of flexible hose without connections			
	Article	Color	Material	Package Pcs
7037.9	Silver	Plastic	1	

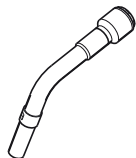
	WIRELESS FLEXIBLE HOSE FLISY 2 7 M			
	ON/OFF wireless hose			
	Article	Color	Material	Package Pcs
7037.7W	Silver	Plastic	1	

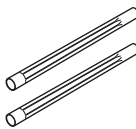
	FLEXIBLE HOSE Ø 32, 18 M			
	Flexible hose bundle without connections			
	Article	Color	Material	Package Pcs
7037.18	Silver	Plastic	1	


ACCESSORY CLEANING KIT


	PLASTIC HANDLE WITH PRESSURE REGULATOR Ø 32			
	Handle for flexible hose and accessory connection			
	Article	Color	Material	Package Pcs
7039.1	Grey	Plastic	1	

	CHROMED TELESCOPIC EXTENSION Ø 32			
	Telescopic extension for connection with handle and accessories			
	Article	Color	Material	Package Pcs
7040.1	Steel	Metal	1	


	CHROMED HANDLE WITH PRESSURE REGULATOR Ø 32			
	Handle for flexible hose and accessory connection.			
	Article	Color	Material	Package Pcs
7039.0	Steel	Metal	1	

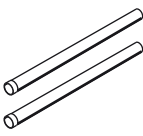
	PAIR OF PLASTIC EXTENSIONS Ø 32			
	Connection extensions for handle and accessories			
	Article	Color	Material	Package Pcs
7040.2	Black	Plastic	1	

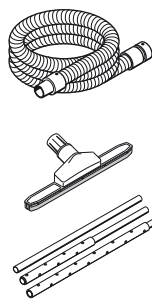
	SOCK FOR FLEXIBLE HOSE 7 M			
	Soft sock to cover the flexible hose			
	Article	Color	Material	Package Pcs
7037.1	Denim	Wool	1	

	STOP-OBJECTS ACCESSORY			
	To connect onto the handle of the flexible hose			
	Article	Color	Material	Package Pcs
7040.5	Black	Plastic	1	

	SOCK FOR FLEXIBLE HOSE 10 M			
	Soft sock to cover the flexible hose			
	Article	Color	Material	Package Pcs
7037.4	Denim	Wool	1	

	PET BRUSH			
	Curry brush with handle			
	Article	Color	Material	Package Pcs
7049.0	Black	Plastic	1	

	PAIR OF EXTENSION CHROMED PIPES Ø 32			
	Connection extensions for handle and accessories			
	Article	Color	Material	Package Pcs
7040.0	Steel	Metal	1	

	OVEN CLEANING KIT Ø 32			
	Heat resistant accessories with insulated handle			
	Articolo	Colore	Materiale	Imballo Pcs
7032.3	Steel	Metal	1	

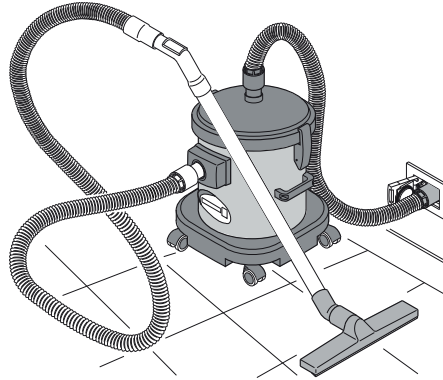
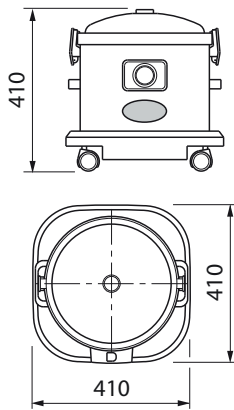
ACCESSORY CLEANING KIT

SPECIAL CLEANING SEPARATORS

Special separators are cleaning accessories that can be matched to the central vacuum system: they are used to vacuum liquids or ashes that cannot enter inside the pipe network of the system.

Equipped with reels for movement, they can be transported and emptied quickly and easily.

LIQUID SEPARATOR



- EQUIPMENT
- Ø 32 flexible hose for connection to the system
 - Liquid brush
 - Vacuum hose adapter

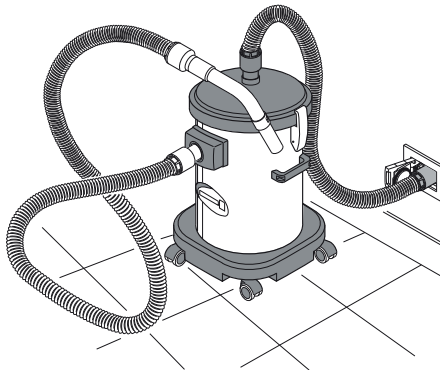
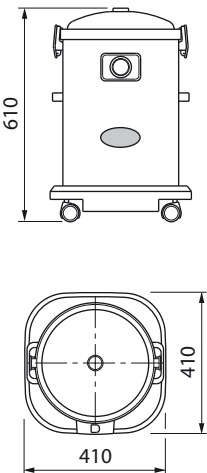
* The hose for cleaning is not included

LIQUID SEPARATOR ON WHEELS WITH ACCESSORIES

Article	Color	Material	Package Pcs
7033.0	Grey	Plastic	1



ASH SEPARATOR



- EQUIPMENT
- Ø 32 flexible hose for connection to the system
 - Vacuum hose adapter

* The hose for cleaning is not included

METAL ASH SEPARATOR WITH WHEELS

Article	Color	Material	Package Pcs
7033.7	Steel	Plastic	1





FILTER CARTRIDGE FOR ASHES SEPARATOR

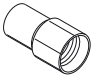
Article	Color	Material	Package Pcs
1610.10	White	Fire resistant fabric	1

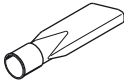
CLEANING ACCESSORIES Ø 40 MM

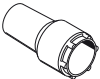


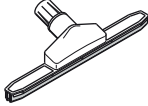
	FLEXIBLE HOSE Ø 40 MM (10 m)			
	Flexible hose bundle without connections			
	Article	Color	Material	Package Pcs
7037.2	Black	Plastic	1	

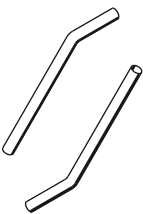
	DUST BRUSH WITH BRISTLES Ø 40			
	Directable dust brush			
	Article	Color	Material	Package Pcs
7047.3	Black	Plastic	1	

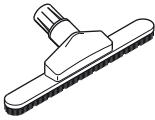
	HANDLE FOR FLEXIBLE HOSE Ø 40			
	Handle for flexible hose and connection for accessories			
	Article	Color	Material	Package Pcs
7038.1	Black	Plastic	1	

	CREVICE TOOL Ø 40			
	Specific tool for corners cleaning			
	Article	Color	Material	Package Pcs
7047.4	Black	Plastic	1	

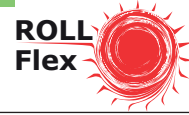
	SWIVEL CONNECTION Ø 40			
	Connection flexible hose/vacuum inlet			
	Article	Color	Material	Package Pcs
7038.2	Black	Plastic	1	

	LIQUID BRUSH WITH RUBBER Ø 40			
	Floor brush without bristles			
	Article	Color	Material	Package Pcs
7033.8	Black	Plastic	1	

	PAIR OF CHROME EXTENSION PIPES Ø 40			
	Accessory extension pipes			
	Article	Color	Material	Package Pcs
7039.20	Steel	Metal	1	

	FLOOR BRUSH WITH BRISTLES 48 CM, Ø 40			
	Suitable for any kind of surface			
	Article	Color	Material	Package Pcs
7047.2	Black	Plastic	1	

N.B.: all Ø 40 accessories are to be used with the specific floor inlets (art. 1455.2A e 1455.2N) and industrial inlets (1556.0).



ACCESSORY CLEANING KIT

MOTORISED HOSE REEL ROLL FLEX

FUNCTIONAL

Automatically roll up/down

1

20 METERS

arrives everywhere
ideal for large spaces

2

PROFESSIONAL

designed for
heavy work

3

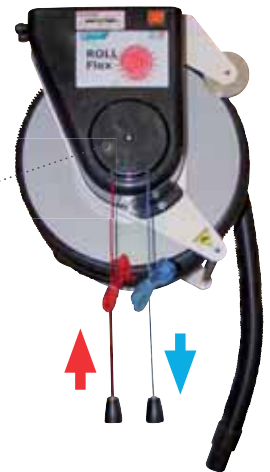
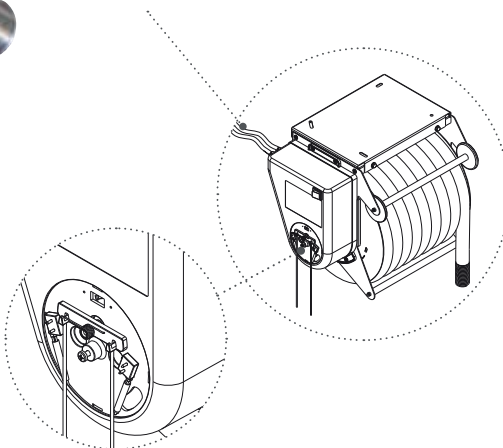
Sistem Air's Roll Flex motorized reel represents the evolution of the traditional wall-mounted reel: equipped with a motorized system to roll up and down, it is characterized by extreme robustness, thanks to the careful design of the mechanical and electrical components, projected to resist to numerous cycles of use. The use is also intuitive, with two switches that control the direction of rotation of the wheel.

The connection to the pipe network is on the side, using a simple connection hose.
The activation of the system can be automatic or controlled by a button (see below).

1 - Great comfort of use

The hose-reel is equipped with a motor that allows both unfolding and rewinding **without the need of return springs**.

Roll Flex has an integrated contact that allows to start and stop vacuuming without a further switch



The up / down control can be activated using **two 5 m long ropes** (which can be shortened as desired), in the same way like happens for the electric windows of cars, **whose use is extremely simple**. Furthermore:



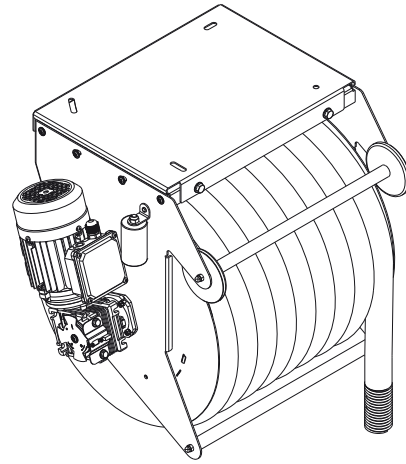
A - By making a specific connection, without the need for additional options, it is possible to install, near the point of use, a standard **double button** switch that starts the rolling up and down



B - As an option, a **universal remote control can be added to manage the reel**, increasing its functionality.

2 - Extreme reliability

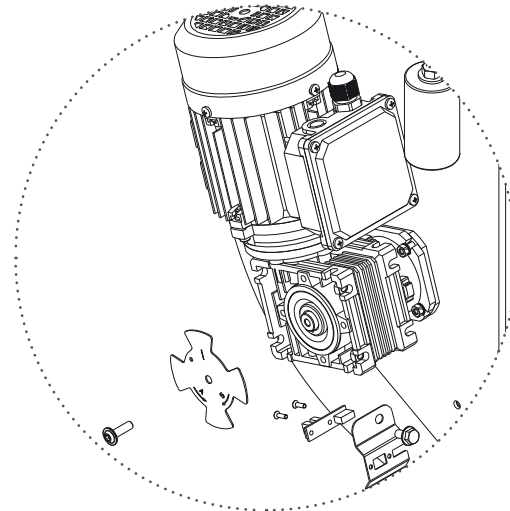
Roll-Flex hose reel is driven by a **powerful electric motor**, which ensures the correct unfolding and rewinding, without that the hose is affected by load variations during these two operations
Therefore the reliability of the motor **is combined with a longer life of the flexible hose**, that doesn't receive sudden strains from the hose-reel.



Roll Flex is equipped with an electronic board which, in addition to managing the ascending/descending automatism, **works as a safety device in case of accidental stops** that may occur during its working (eg. weight that blocks the flexible hose during rewind).

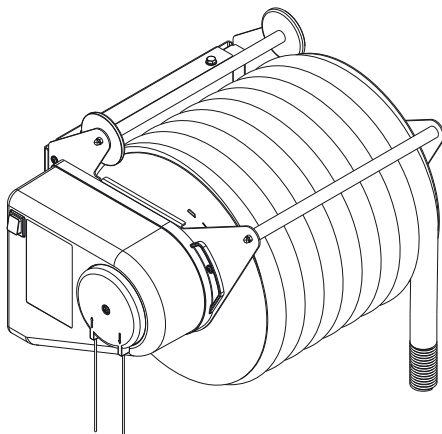
3 - Accurate rewind

Every time that unfolding starts, an optical sensor measures **the section of the unfolded flexible hose**, in order to rewind exactly the same part.
In this way **the flexible hose always returns to the same starting position**.

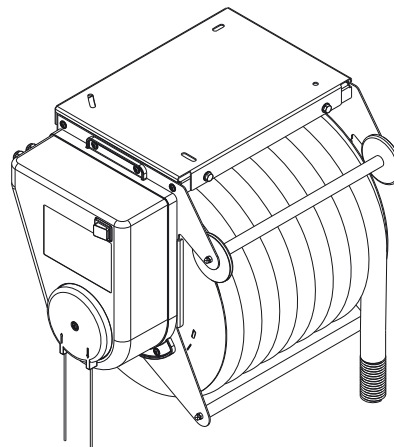


4 - Installation versatility

It can be **installed on the wall or on the ceiling**.
Transformation is easy and quick, it consists in the rotation of the control switches of the motor. The hose-reel fixing is made with appropriate plugs.



Wall mounting



Ceiling mounting

ACCESSORY CLEANING KIT

5 - Always ready for use

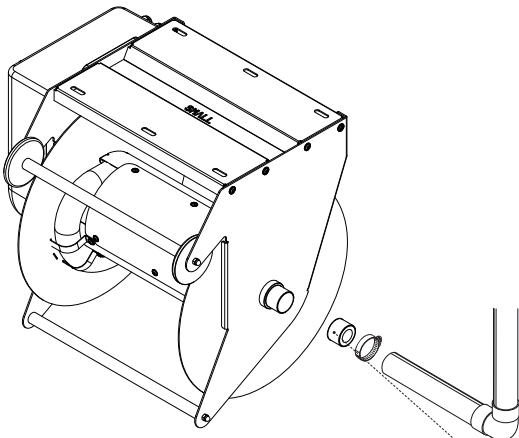
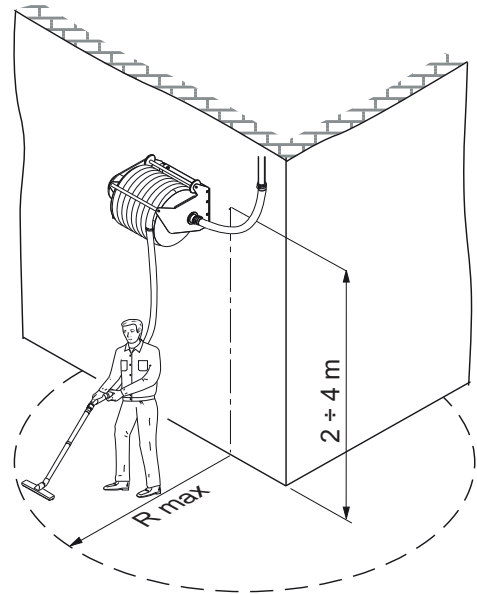
Roll Flex is supplied with a wall support, which allows the flexible hose to be orderly stored near the activation controls.



The support is designed to hermetically close the end of the flexible hose, so as to make it possible to use Roll Flex in a system where there are other reels or other vacuum inlets of any type.

6 - Large range of coverage

The flexible hose supplied with Roll Flex allows to cover a wider surface than the traditional hoses to be inserted into the vacuum inlets. For this reason it is recommended in all those situations where, for technical, functional or aesthetic reasons, **there is a need to minimize the pipe network**, or it is advisable to limit the number of vacuum inlets at ground level because the flexible hose laying on the ground would represent an obstacle in case of frequent passage.

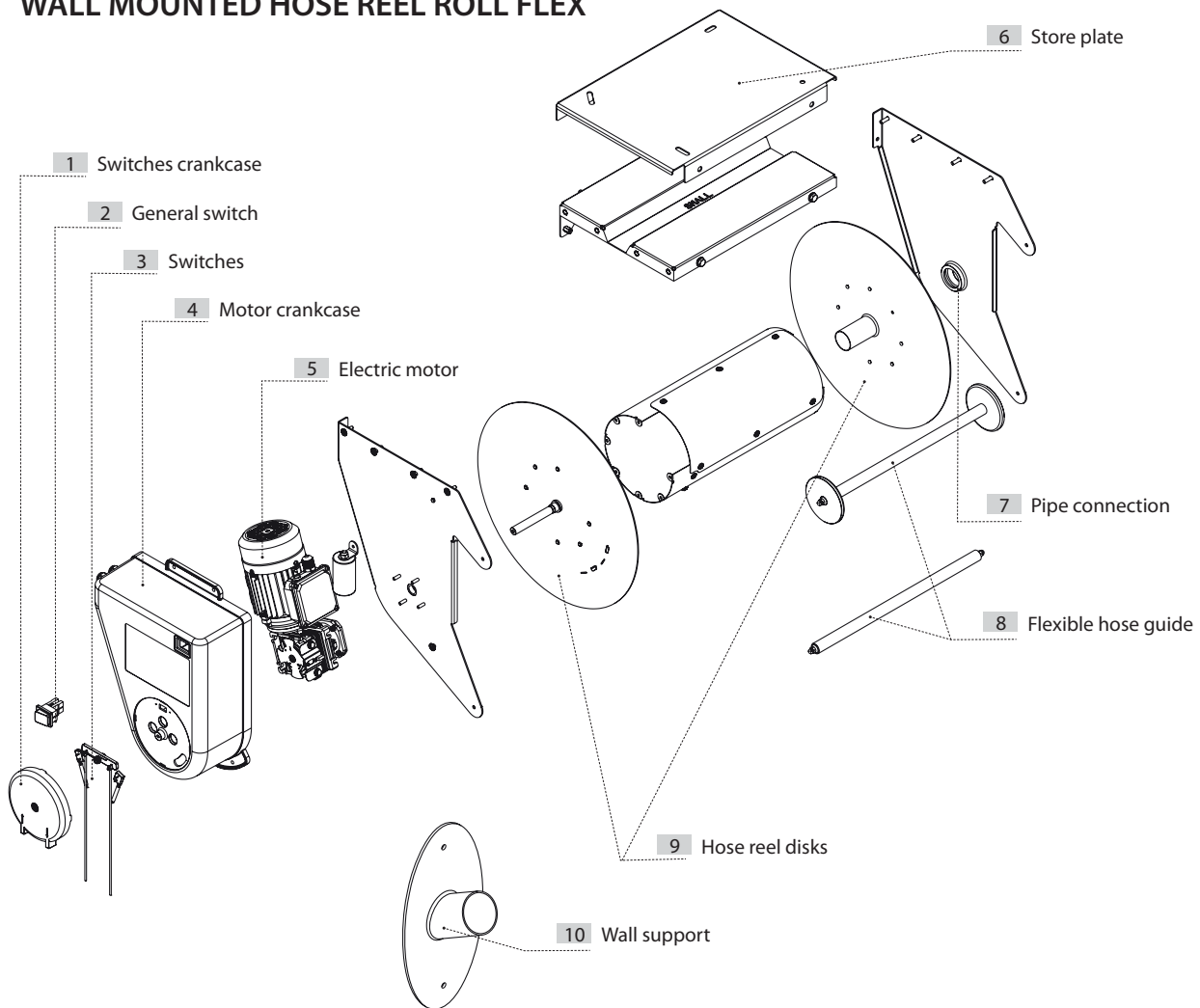


7 - Simplicity of connection

The connection to the pipe network can be done with an **attachment present on the side of the reel**, which allows direct connection to the rigid pipe, or with a piece of flexible hose (not supplied).

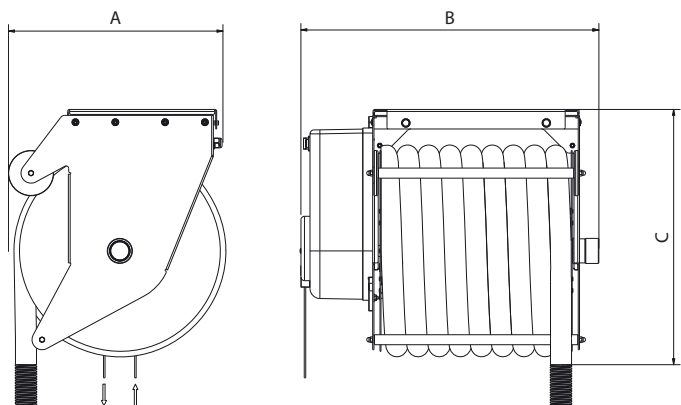
The attachment on the side of the Roll Flex is designed for the fixing of sleeve valves for industrial use (diam. 40 mm). In the case of direct connection to the installation pipe diam. 50 mm, the adapter bush supplied must be used.

WALL MOUNTED HOSE REEL ROLL FLEX



MEASUREMENT AND TECHNICAL DATA

Model Article		ROLL FLEX	
		ROLL Flex Ø 32	ROLL Flex Ø 40
		7041.51E	7041.61E
Protection degree	IP	40	40
Supply	V ac	220/240	220/240
Frequency	Hz	50/60	50/60
Motor power	W	90	90
Absorption	A	0,41	0,41
Number of laps	RPM	24	24
Vacuum inlet	Ø mm	40	40
Flexible hose	Ø mm	32	40
Maximum length of flexible hose	m	18	20
Weight	kg	20	22
Measurement A	mm	410	410
Measurement B	mm	593	743
Measurement C	mm	470	470



The quality of performance of the system is related to the quality of professional equipment used: with Sistem Air each instrument is easy to use and ensures a high technical result.

EQUIPMENTS AND SYSTEMS

EQUIPMENTS 83

ELECTRONIC CONTROL
SYSTEMS 85

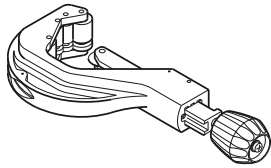


PIPE CUTTERS

EQUIPMENTS

Sistem Air equipments simplify and improve the quality of working.

The **pipe cutter** tool allows to make a clear cut of the pipe, obtaining a perfect coupling with the connection.



PVC PIPE CUTTER AND SPAREPARTS

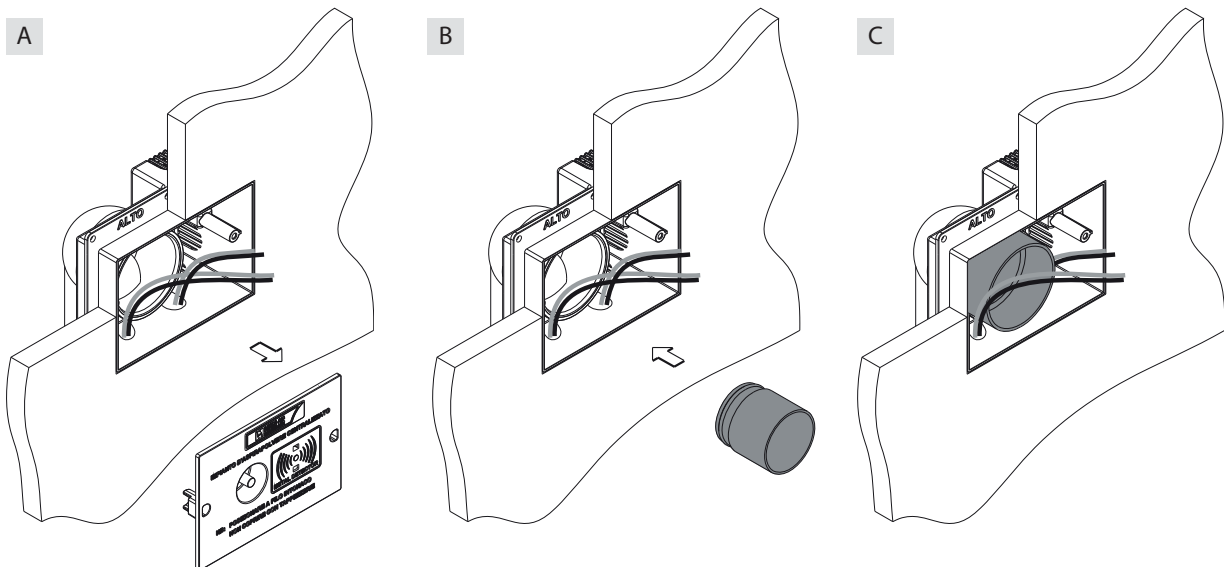
Article	Description	Packaging Pcs
4163.0	Pipe cutter up to Ø 63 mm	1
4100.0	Pipe cutter up to Ø 100 mm	1
4163.1	Spare wheel for pipe cutter	5

The **cap for depression testing** is used to seal hermetically the mounting plates in order to test the seal of the piping network before the floor laying.



CAP FOR DEPRESSION TESTING

Article	Color	Material	Packaging Pcs
5050.5	Black	Plastic	5




Remove the protective save-plaster cover.

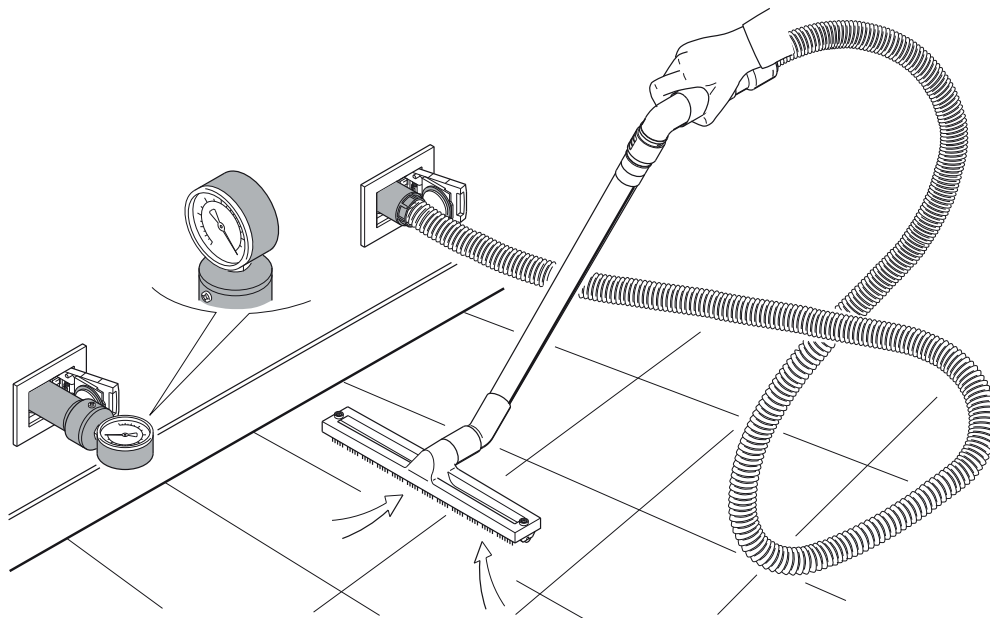
Plug the cap inside the mounting plate entrance until the end.

Make sure that the cap has been connected inside the entrance in the correct way, in order to seal the pipe network.

EQUIPMENTS AND SYSTEMS Vacuum gauge

Vacuum gauge tool allows to test the seal of the piping network before the floor lying; furthermore it you can detect the amount of pressure loss of a pipe network according to the central vacuum depression.

	VACUUM GAUGE			
	Article	Color	Material	Packaging Pcs
	4001.0	Steel	Metal	1



MASTER CONTROL SYSTEM

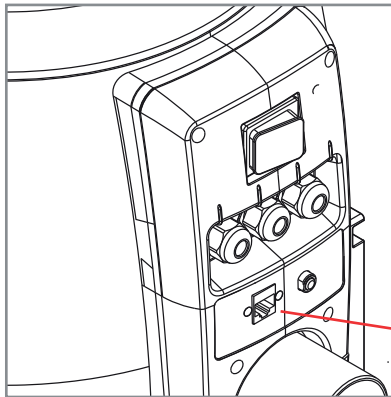
■ ELECTRONIC CONTROL SYSTEMS

The wireless connection module allows you to integrate the Tecno Prime line units to the home wireless network and use, through the internet connectivity of the building, the Air cloud remote monitoring system for the vacuum unit. The module must be connected to the power supply and to the Tecno Prime unit using a serial cable.

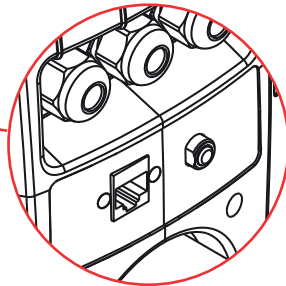


WI FI MODULE

Article	Description	Packaging Pcs
4202.2	Wi Fi module for Tecno Prime vacuum unit	1



Connect the wi-fi module to the vacuum unit using the appropriate serial port on the side of the machine.



EQUIPMENTS AND SYSTEMS

Homologation:

IP insulation level

Insulation level of the apparatus against solid parts and liquid from outside.

IP 20 IP 20: Apparatus protected against solid parts larger than 12 mm but not protected against the infiltration of water.

IP 44 IP 44: Apparatus protected against solid parts larger than 1mm and protected against water sprays (water sprayed on the covering from any direction should not cause damage).

IP X4 IP X4: Apparatus protected against water sprays (water sprayed on the covering from any direction should not cause damage).
Level of electric insulation

IP 40 IP 40 : Device with protection against solid objects larger than 1 mm and not protected against water penetration.

Electrical insulation



CLASSE I: Apparatus with fundamental electric insulation. It should be connected to the earth circuit on the main electric power.



CLASSE II: Apparatus with dual electric insulation. It does not need to be connected to the earth circuit of the main electric power.

Filtration classes:

According to the IEC 60335-2-69 standard, the various filtration classes must meet these maximum permeability characteristics (maximum percentage of dust let through):

- **classe I**: max 5% of particles of 2 µm
- **classe M**: max 0,5% of particles of 2 µm
- **classe H**: max 0,005% of particles of 0,3 µm



Atex zone 22 (Area in which, during normal activities, the formation of an explosive atmosphere in the form of a cloud of combustible dust is not likely and, if it occurs, it is only of short duration)

REQUEST A QUOTE

To be sent by fax to the number **0381 650120**
or by email **info@sistemair.it**

Sending in the application form does not obligate you in any way

QUOTE APPLICATION

Date of request Send the quotation to the following n. fax

Send the quotation to the following email

Applicant:

Name

Activity

e-mail

Address n.

.....

Activity of the applicant:

- INSTALLER
- WHOLESALER
- TECHNICIAN
- PUBLIC INSTITUTION
- PRIVATE
- OTHER

Usual dealer

Legal form

Address

.....

Application Type :

- NATURAL DUST
- OTHER (specify)

Type of installation:

- CIVIL
- CIVIL ADVANCED
- INDUSTRIAL
- SYSTEM JOLLY

Characteristics of installation:

Total surface sq.m.

Levels No.

Simultaneous users n°

Vacuum unit installed in the building

- on LOWER FLOOR
- on HIGH FLOOR

Power supply available Volt

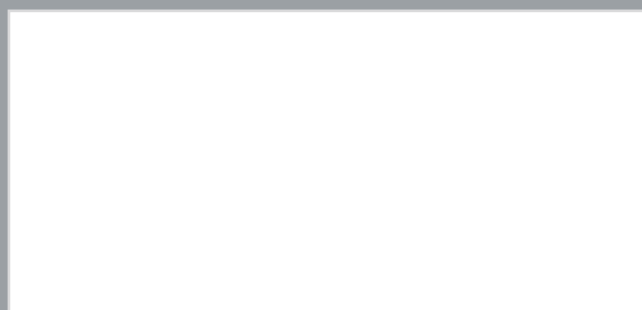
Civil line electric plates choices

NOTES

.....
.....



sistemair.com



Sistem Air
since 1993 Group

Follow us on



+39 340 4090146

27020 Gravellona Lomellina (PV) ITALIA - Via Cilavegna, 53
GPS: N: 45° 19' 28"; E: 8° 45' 32"

Tel. + 39 0381 650082 - Fax +39 0381 650120 - info@sistemair.com